

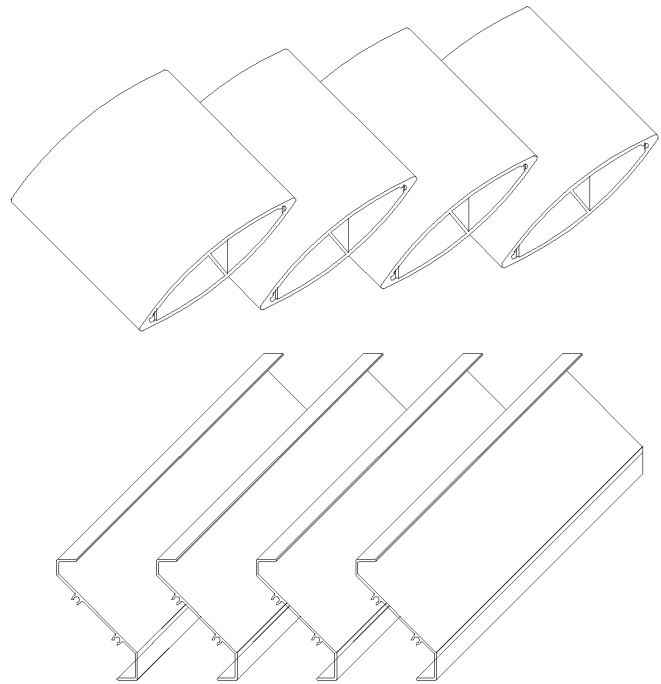
Standard Options

- Recycled aluminum framing
- Modular design and integral alignment features for ease of installation
- Thermally improved mullion attachments
- Efficient shade factor design that minimizes solar heat gain
- Controllable system/lighting - control solar heat gain and harvest natural daylight to meet sustainable design goals
- Reduced energy cost
- Low-emitting paints + adhesives and sealants



Optional Features

- Extruded blades, perforated sheet, "catwalk" grids or solid shading
- Variety of blade and outrigger styles
- Square, rectangular, and oval cross pieces/nosings
- Solid panel shading in a variety of shapes
- Transparent, translucent, or silk-screened glass sun shades
- Durable, anodized, kynar 500 or powder coated finishes
- Finishes can match/contrast curtain wall framing
- 220 color options

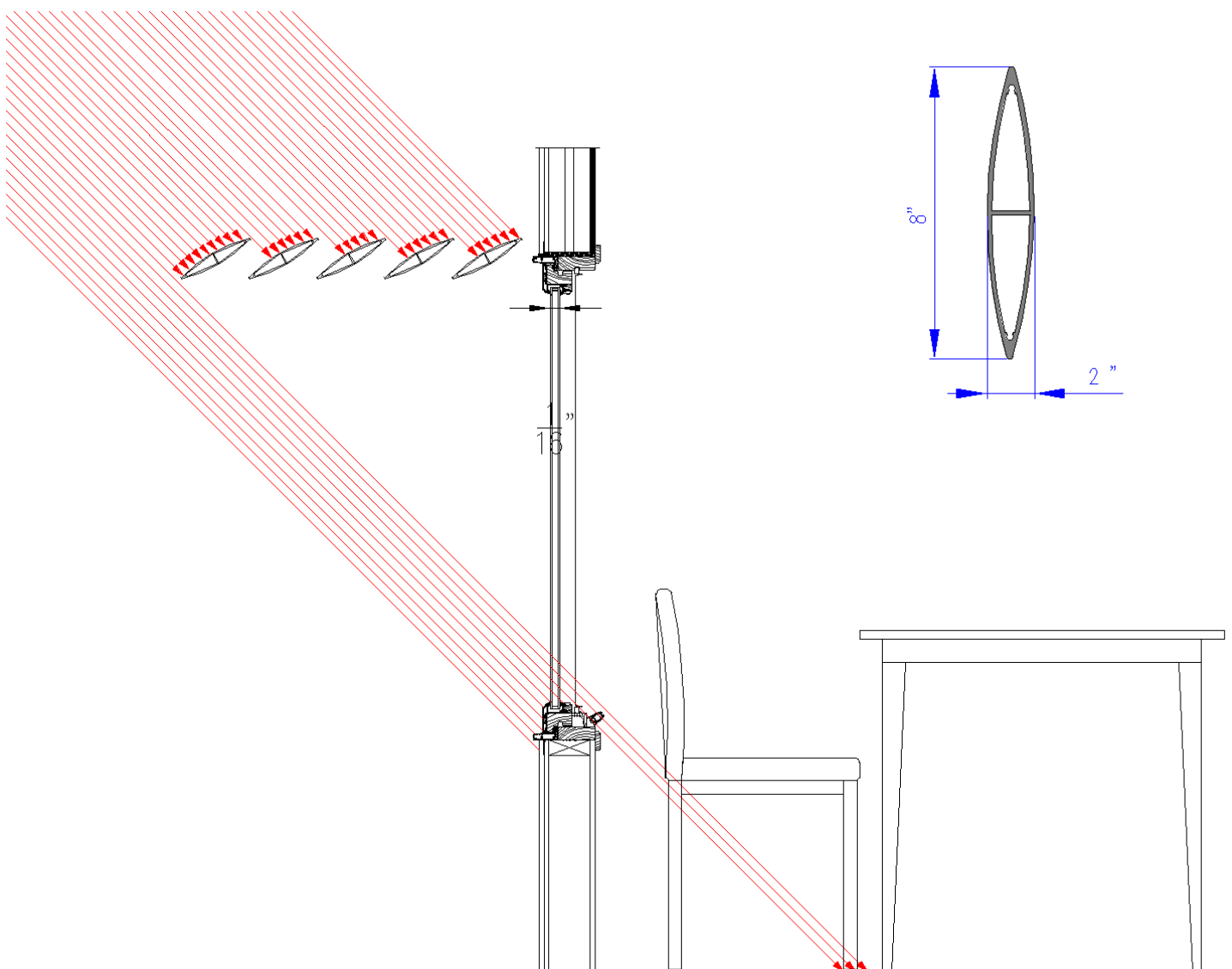


Made in the USA



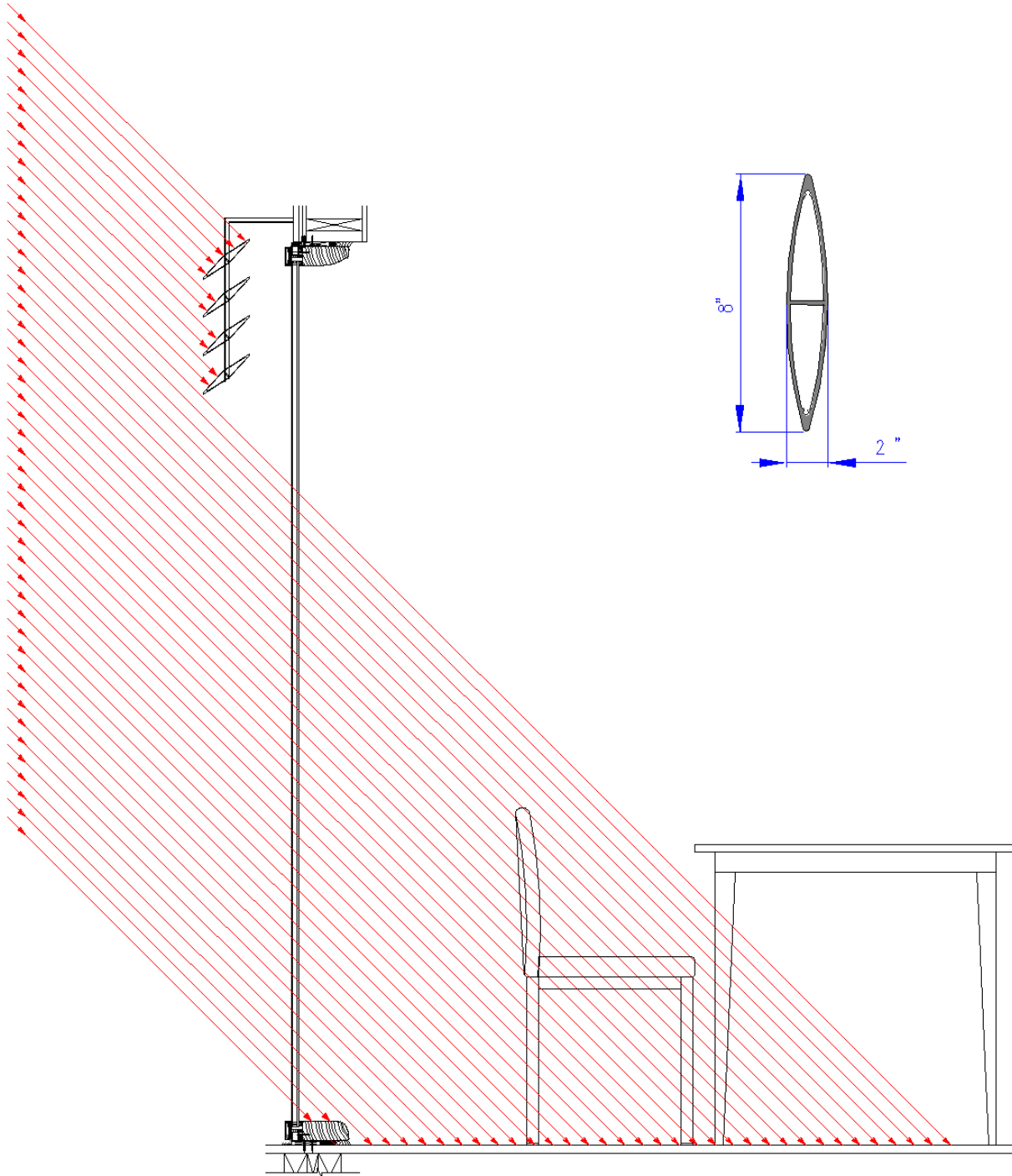
Technical Specifications

- Operable or fixed angles
- 4", 5", 6" or 8" wide louvers
- 8' or 10' long sections - contact us for longer sections



Technical Specifications

- Operable or fixed angles
- 4", 5", 6" or 8" wide louvers
- 8' or 10' long sections - contact us for longer sections



Technical Specifications

- Fixed angles only
- 4", 5", 6" or 8" wide louvers
- 8' or 10' long sections - contact us for longer sections

