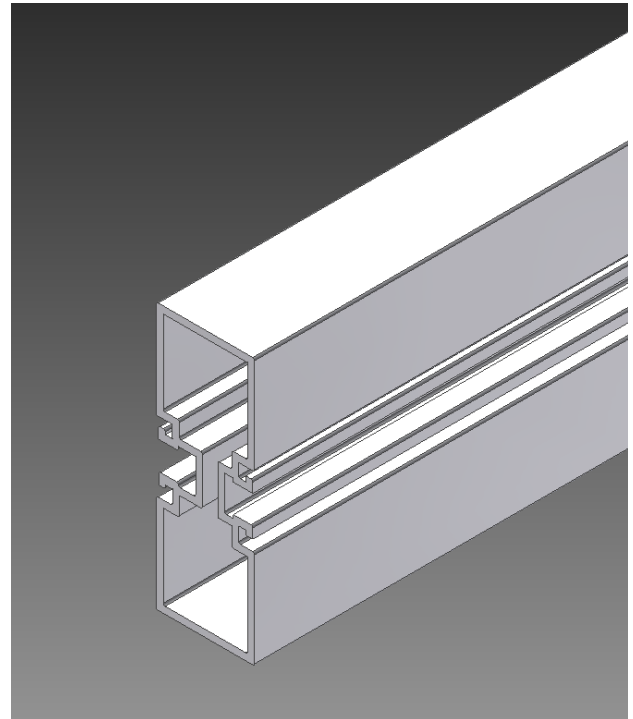




Standard Options

- Flush Glazed
- Framing systems include extrusions of:
 1. 1-3/4" x 4"
 2. 1-3/4" x 4-1/2"
- Designed for glass or infill panels
- Glazed in center of frame with roll-in EPDM gasket
- Three different assembly options:
 1. Screw spline
 2. Shear Block
 3. Stacking
- Multiple corner post configurations
- Adjustable and 135° mullion



Optional Features

- Extrusion are of aluminum alloy: 6005, 6060, 6463, 6063
 - Extrusion wall thickness 1/8"
- Glazing at 1/4 to 3/8"
- Door framing components
- Sidelite bases to match door bottom rails
- Anodized and painted finishes
- 220 color options
- Wood and frameless glass doors available
- Outside glazed

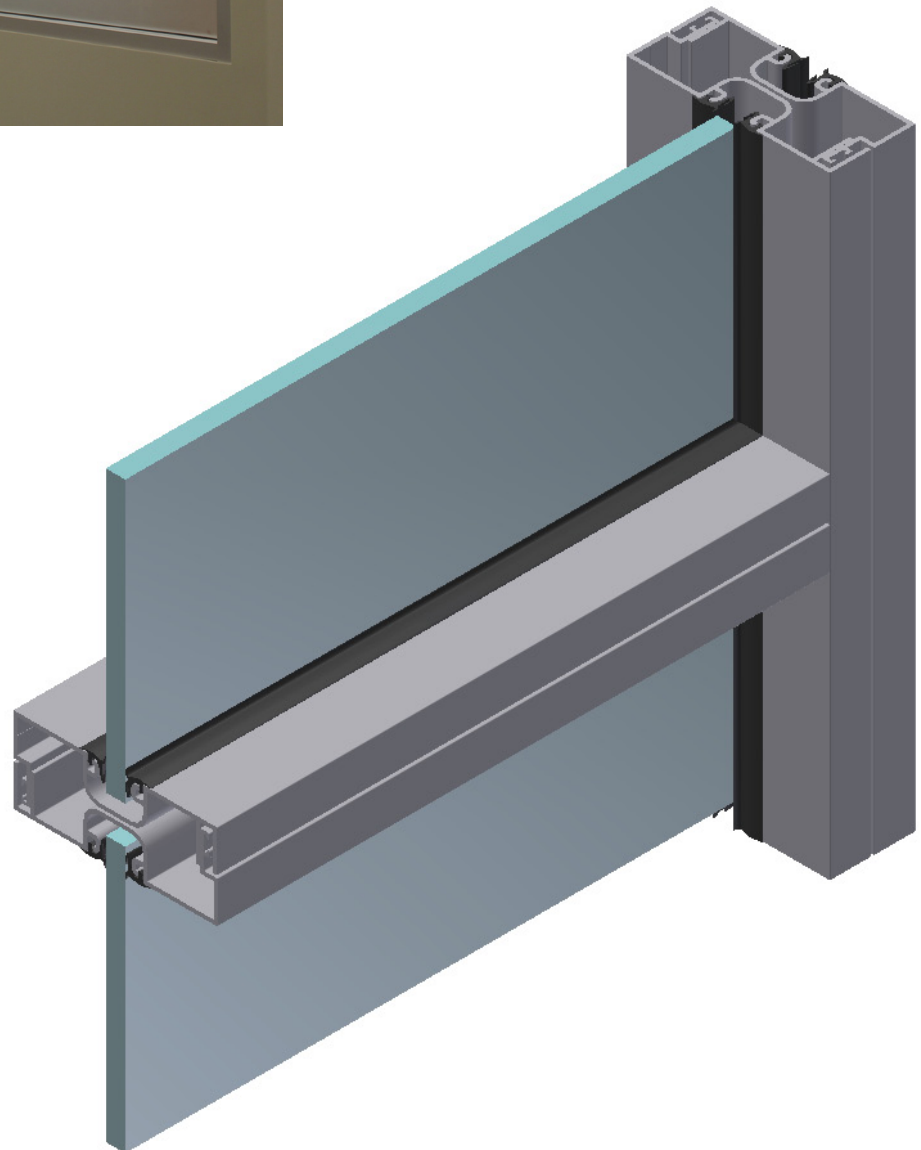
Made in the USA



Performance

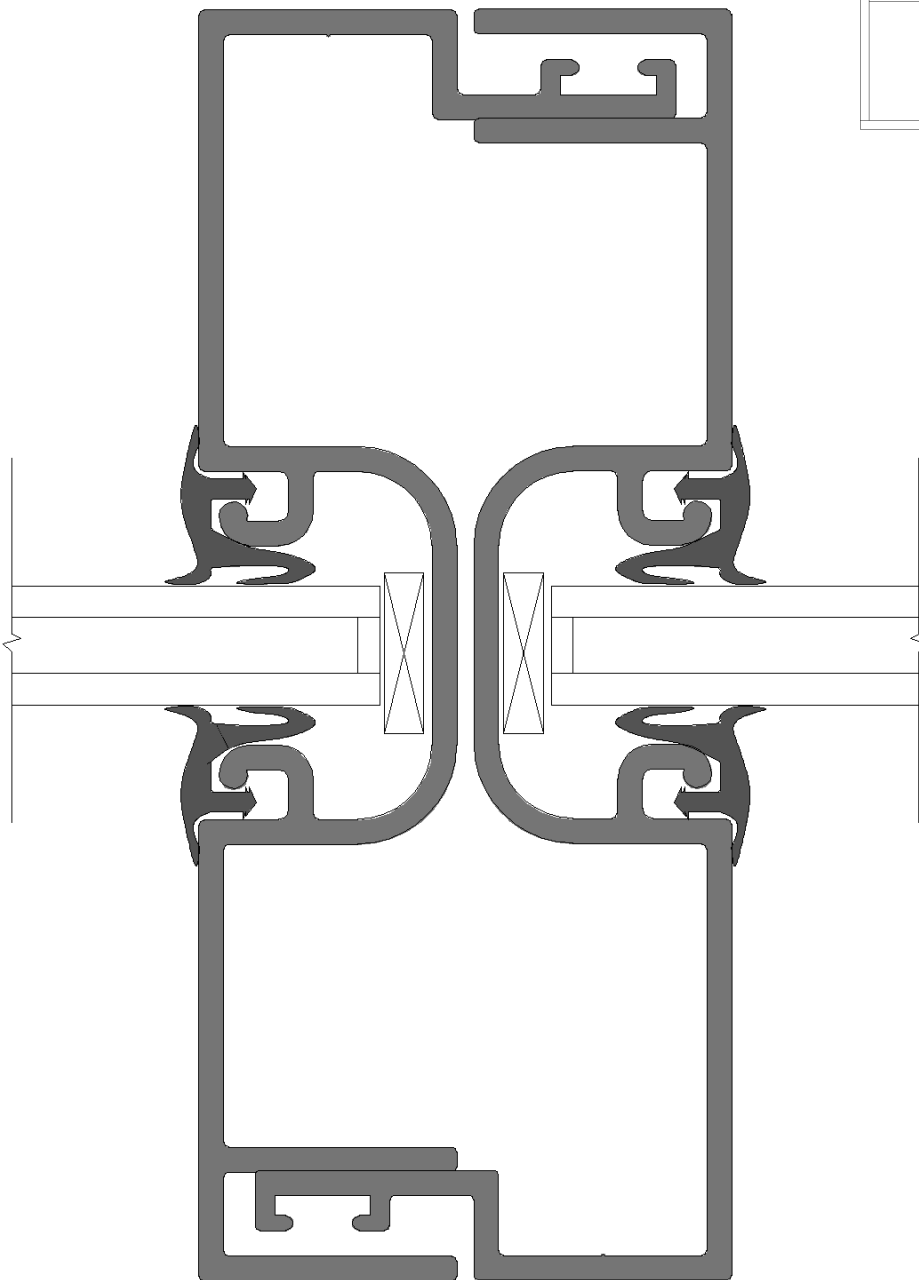
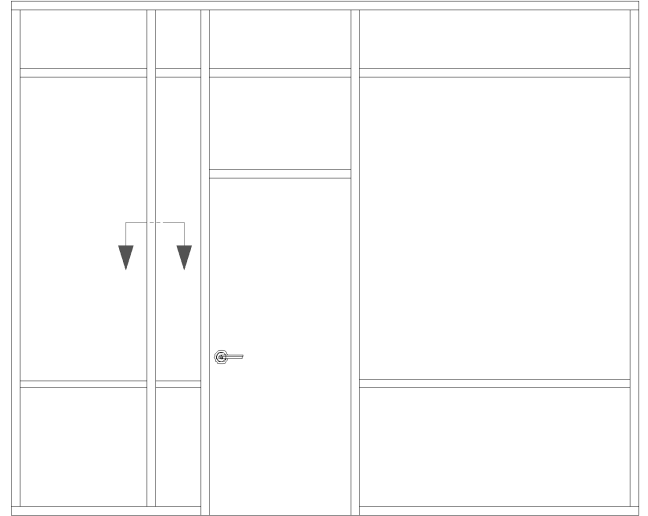
Design Pressure +/- 50 psf
 Air Infiltration..... <0.01cfm/ft²

Water Test Pressure..... 10 psf
 Uniform Load Structural -/+90 psf



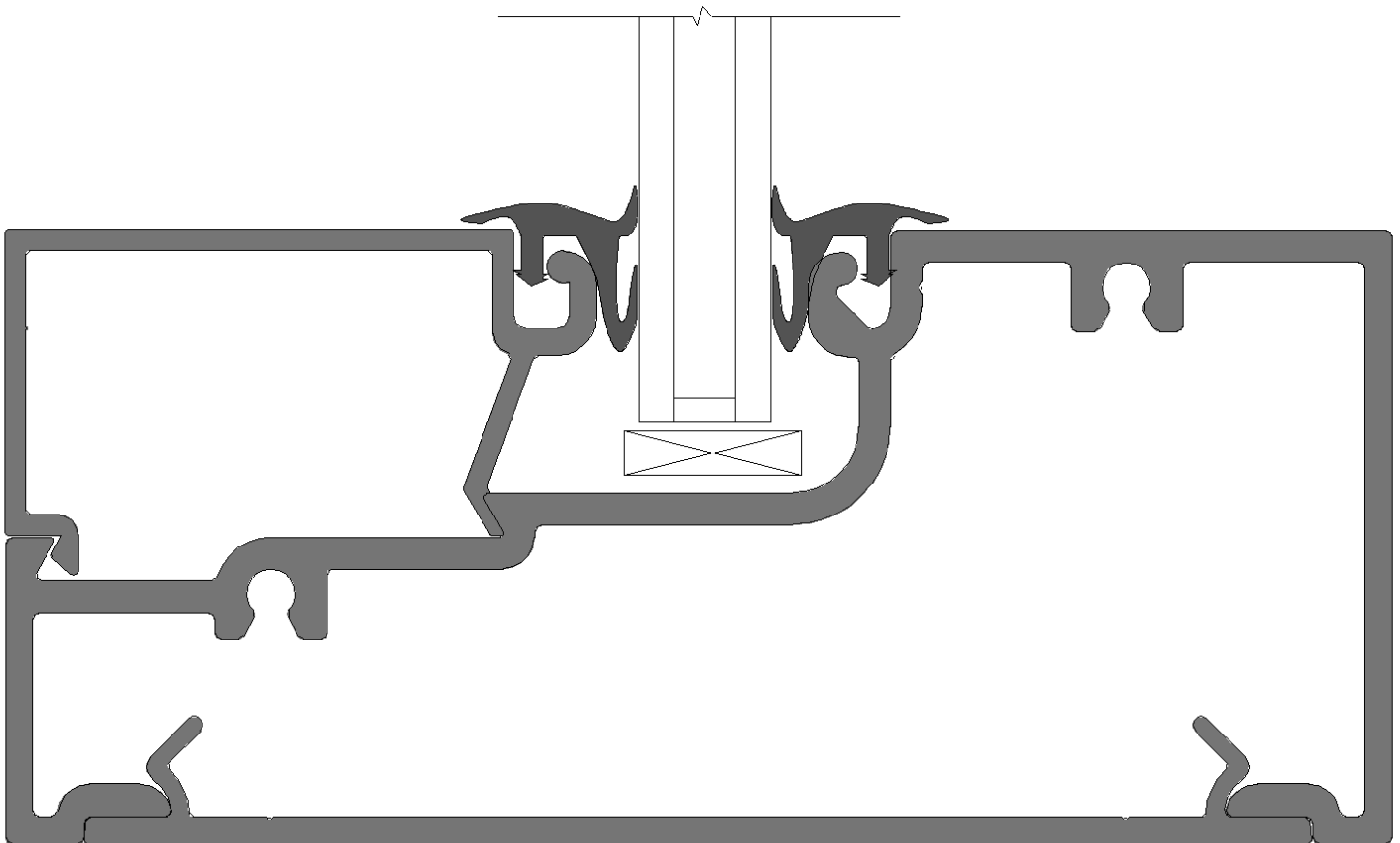
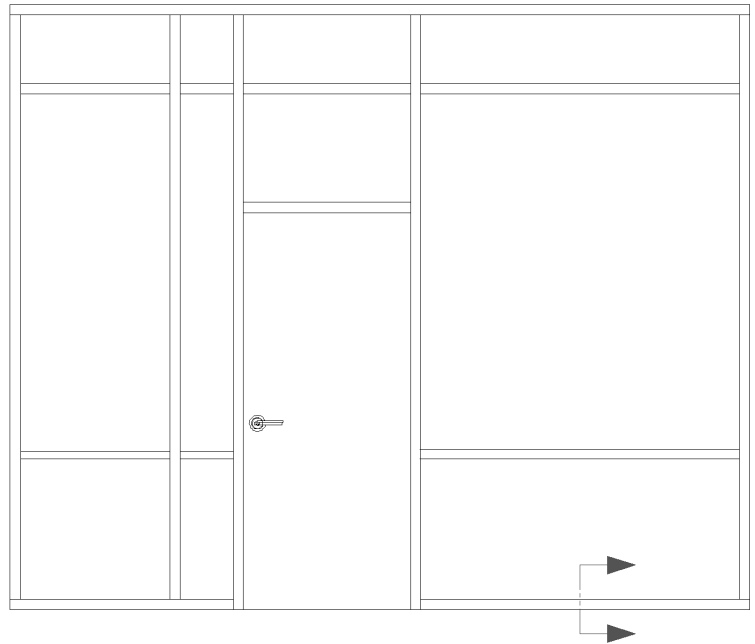


Horizontal Cross Section View



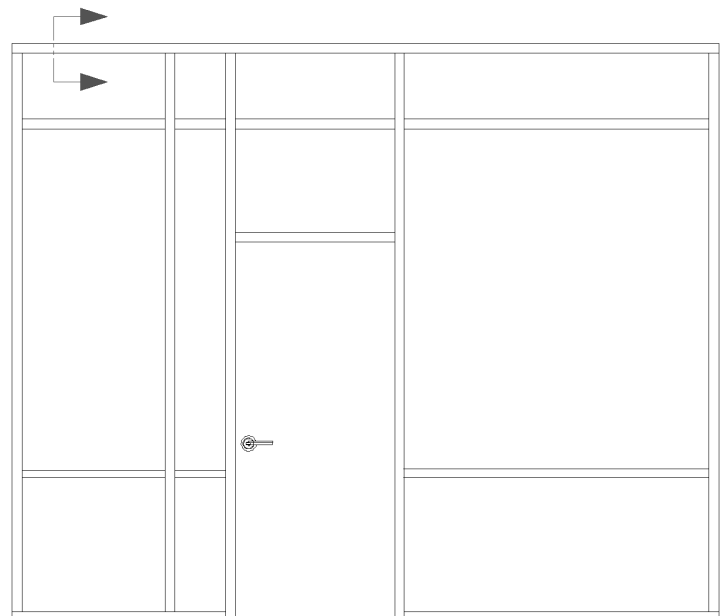
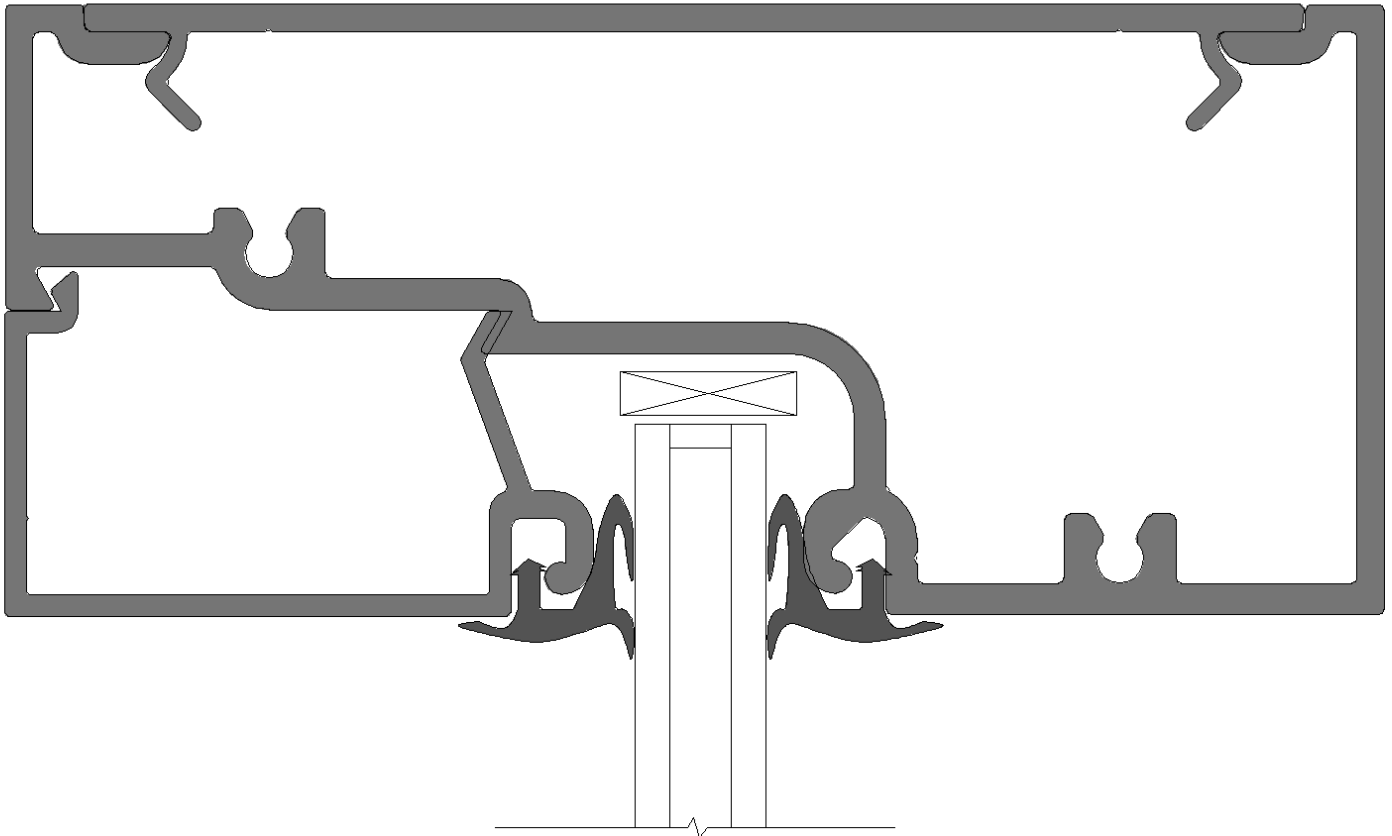


**Vertical Cross-Section
View at Bottom**





Vertical Cross-Section View at Top





**Vertical Cross-Section
View at Middle**

