

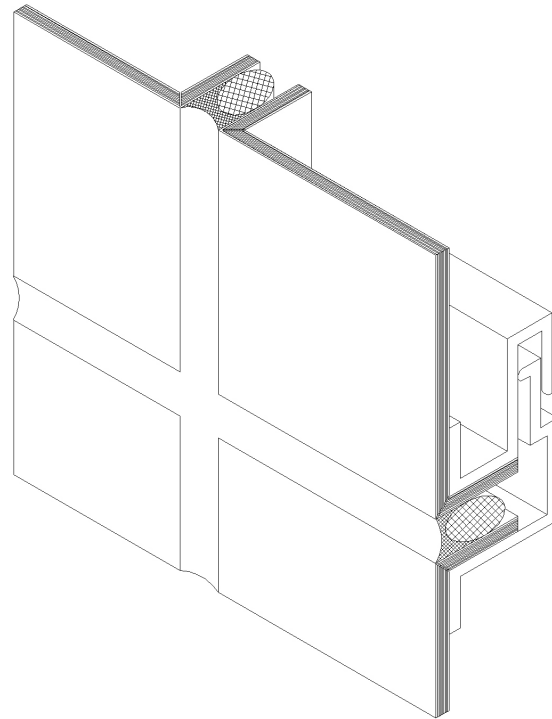


Standard Options

- Thermoplastic core
- Coil coated skins
- EcoClean coating
- Rout and Return installation method
- Standard 2-coat finish

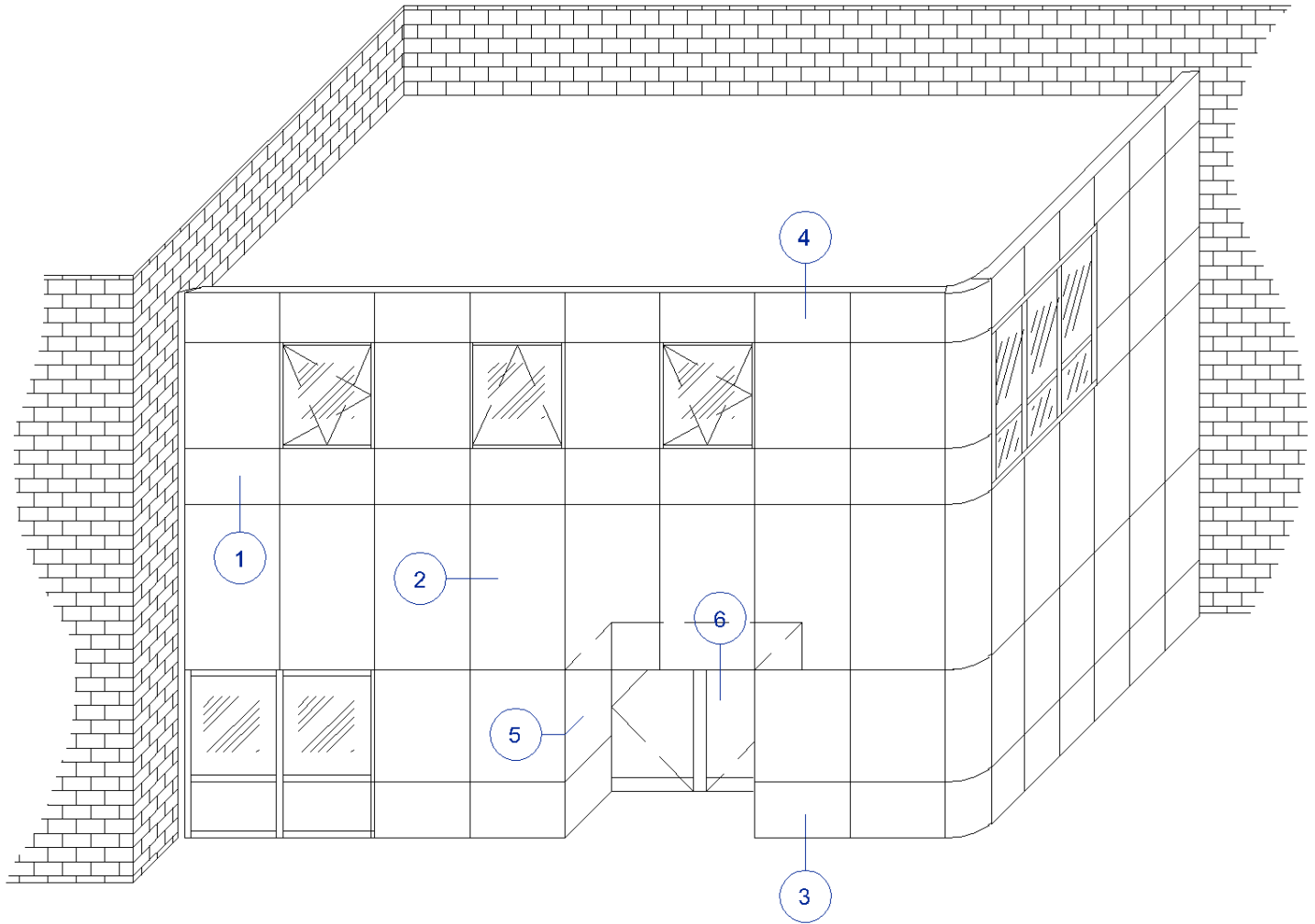
Optional Features

- Aluminum, zinc, copper, titanium, stainless steel
- Thermoplastic core– polyethylene or fire resistant
- Opaque, metallic or mica finishes
- Custom color formulations
- Bent or rollformed to fit curved configurations
- Wet-seal or dry-seal
- Hot air welding
- Interior installed with lightweight extrusions or in partition systems



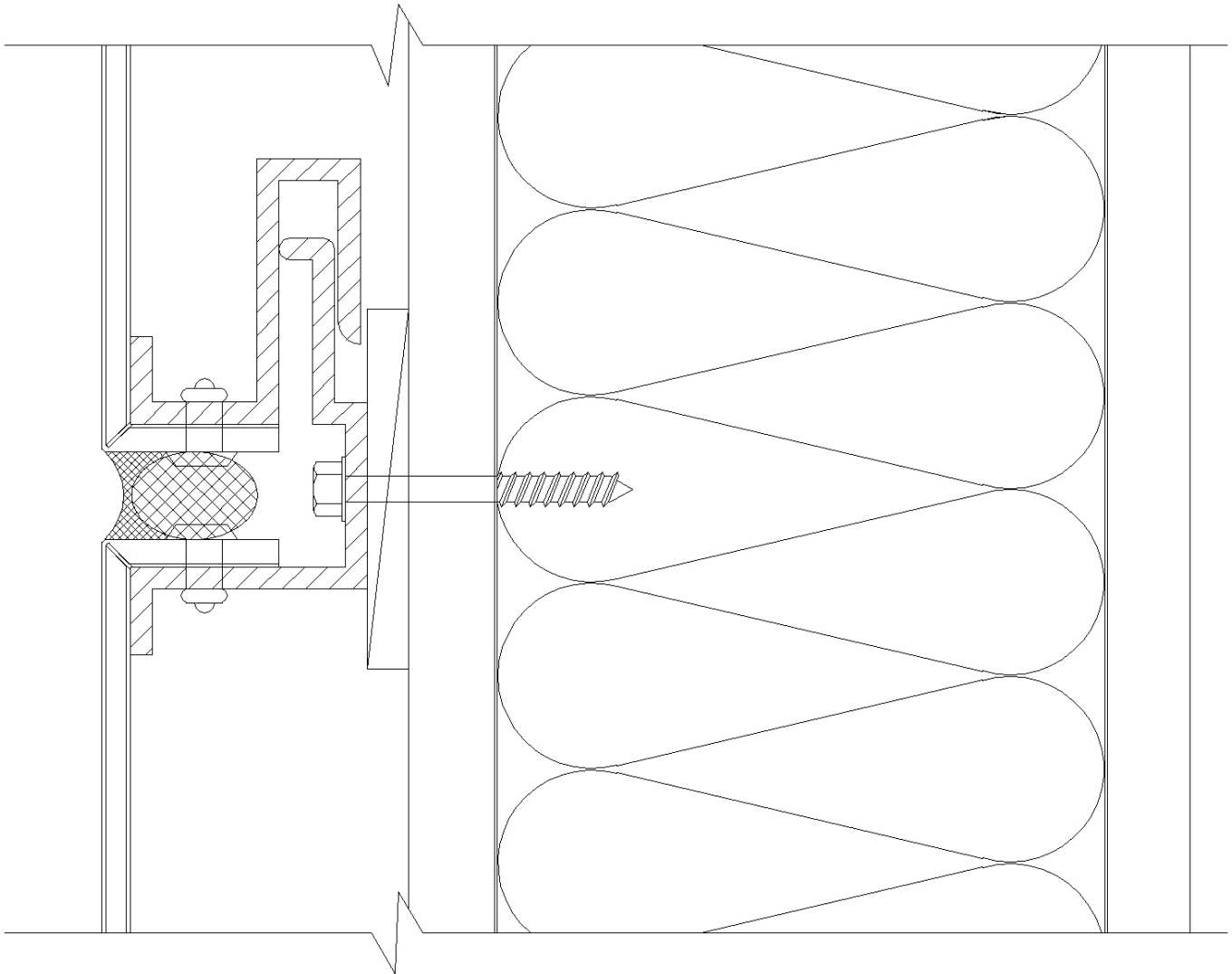
Made in the USA





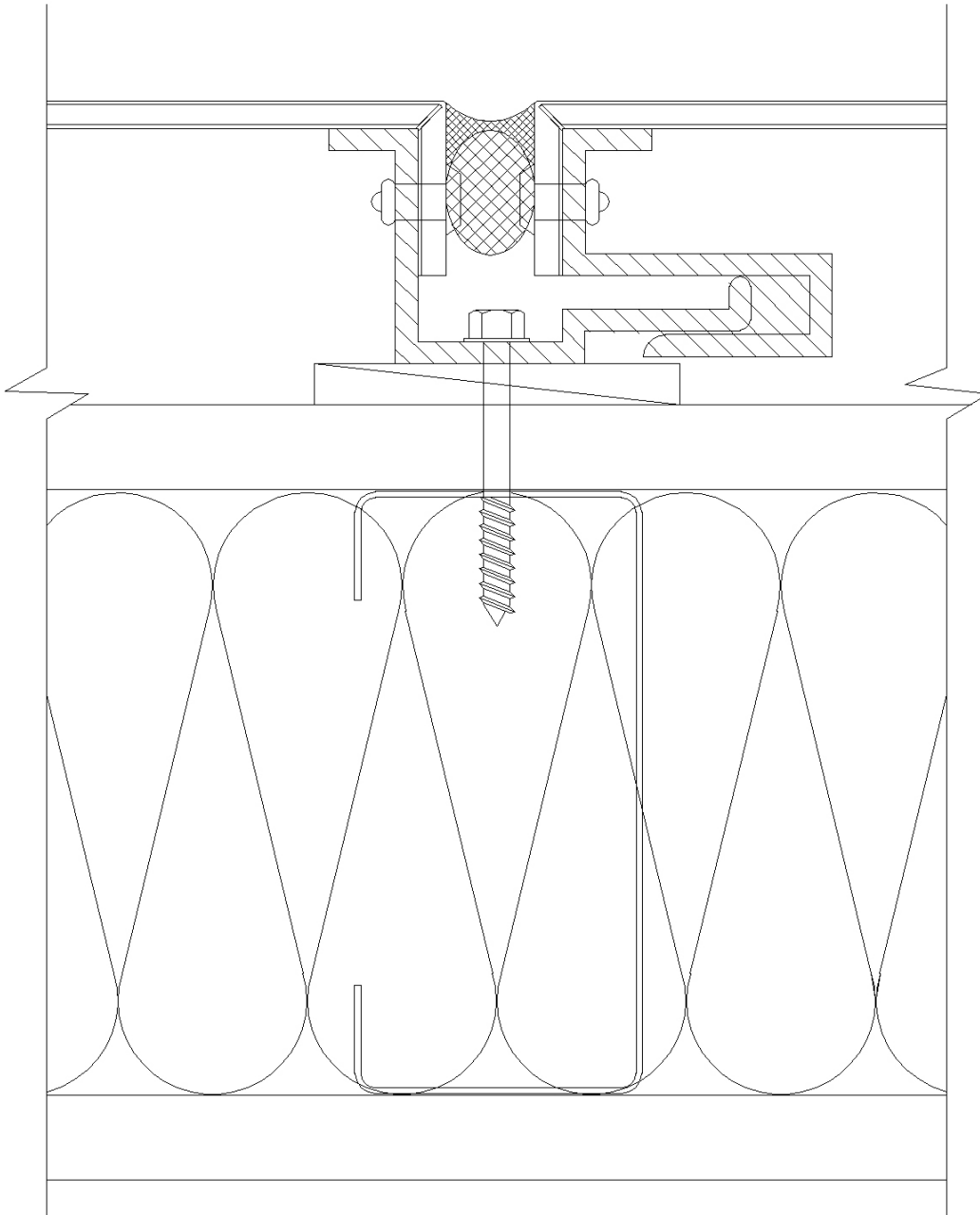


Vertical Joint 1-1



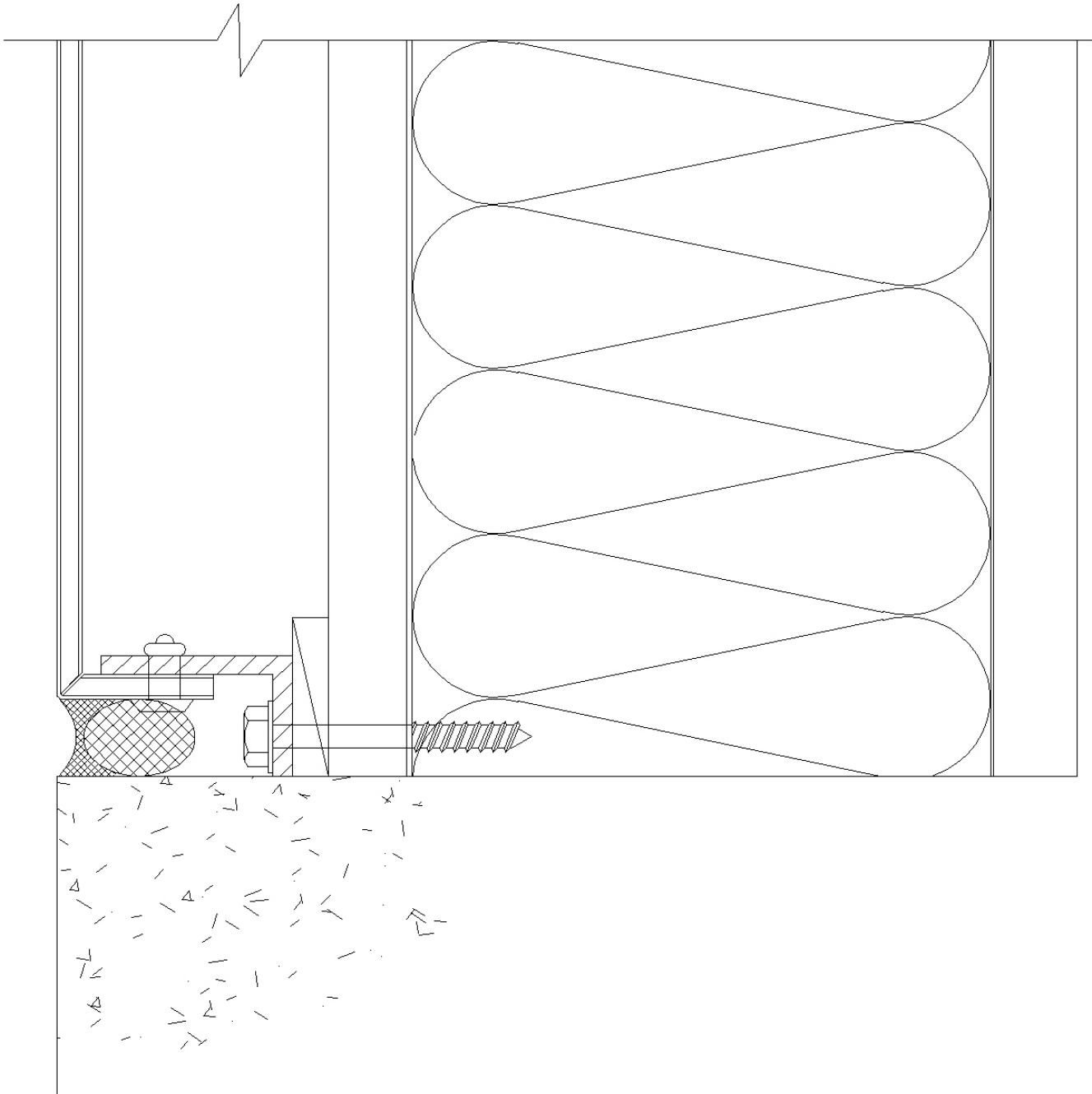


Horizontal Joint 2-2



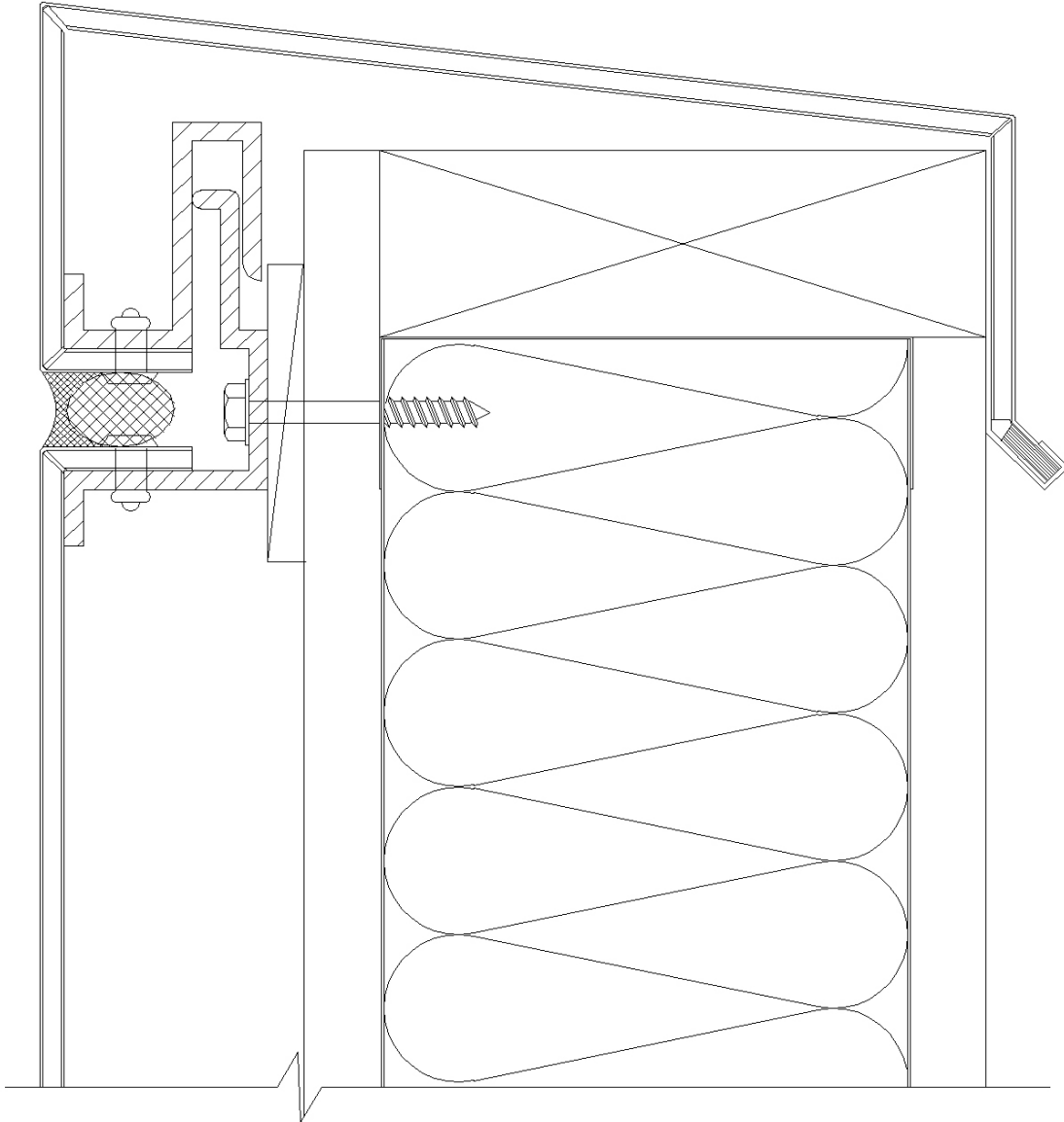


Sill Detail 3-3



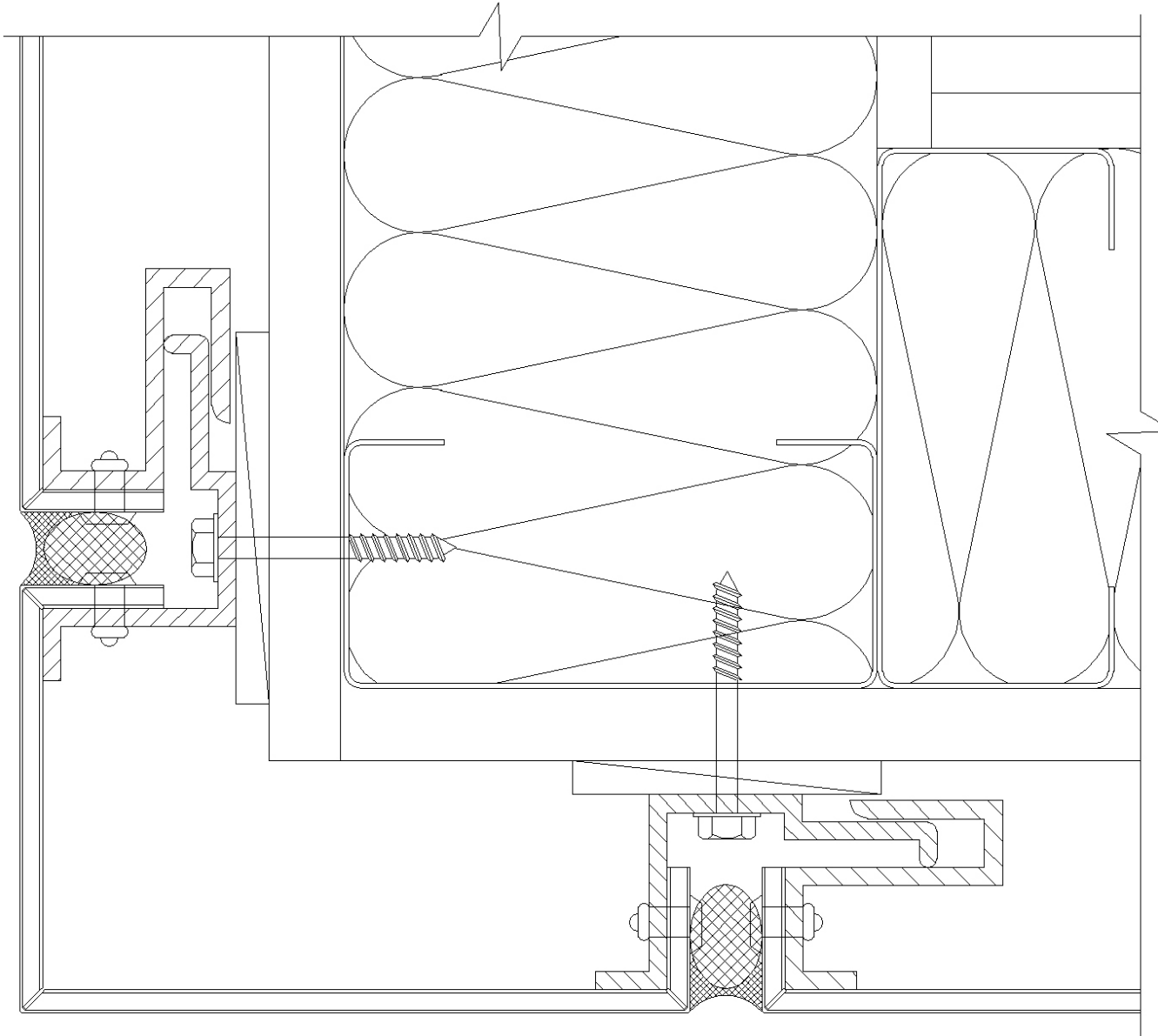


Parapet Detail 4-4





Outside Corner Detail 5-5





Soffit Detail 6-6

