



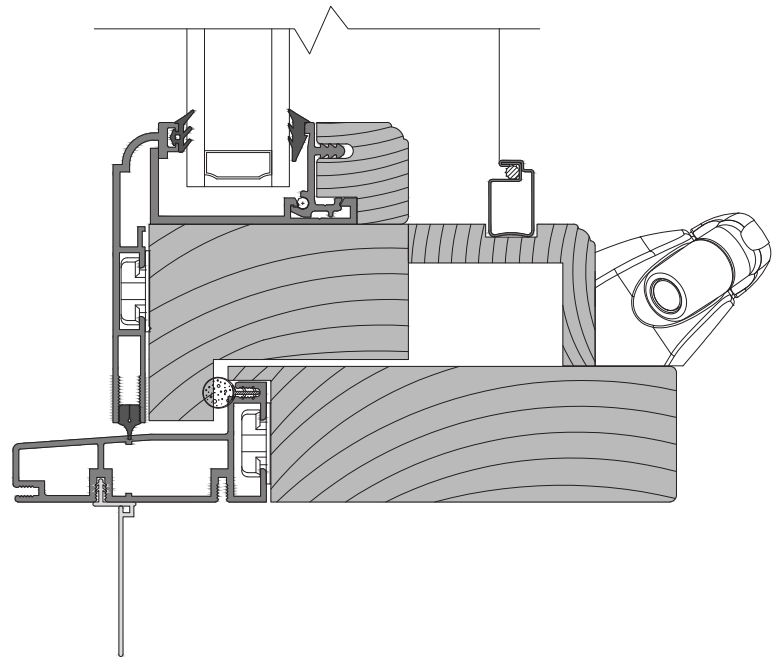
Standard Options

- Fixed/Operable Windows
- EPDM gasket
- 1/4" to 1-1/2" glazing
- Three drainage levels
- Polythermid thermal isolator between exterior and interior aluminum
- Pressure glazing



Optional Features

- Aluminum alloys: 6005, 6060, 6463, 6063
- Various mullion depths available
- Wide variety of cover profiles
- "F" perimeter anchors
- Custom thermal isolator with gasket lips
- Individual gasket with butyl tape
- Glass clips for reinforcement for larger units
- Base ventilation and pressure equalization on four corners of each field
- Special profile for vapor barrier
- Accepts all SA-FE wood windows and doors
- Blinds between glass
- 220 colors options in Aluminum
- Select from a variety of wood species



Made in the USA

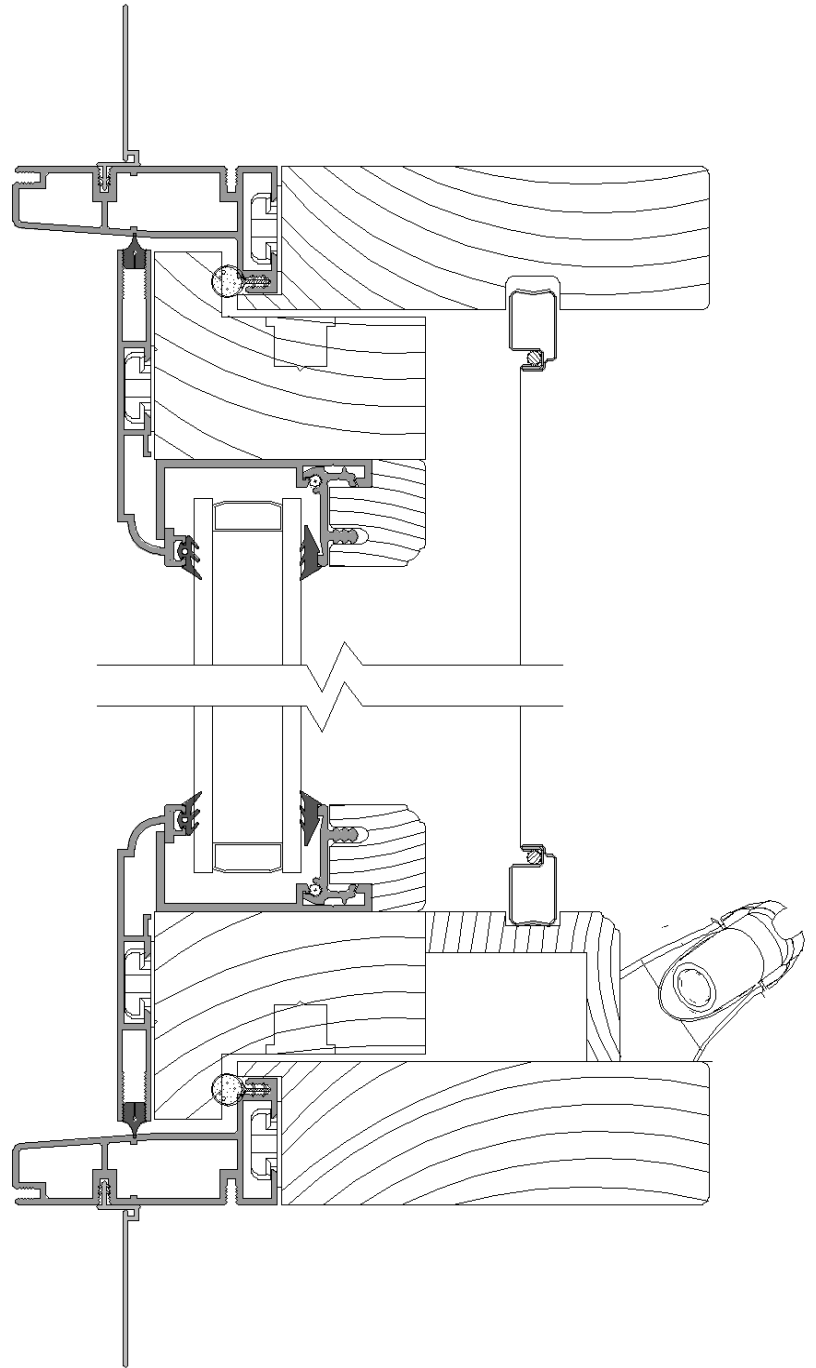
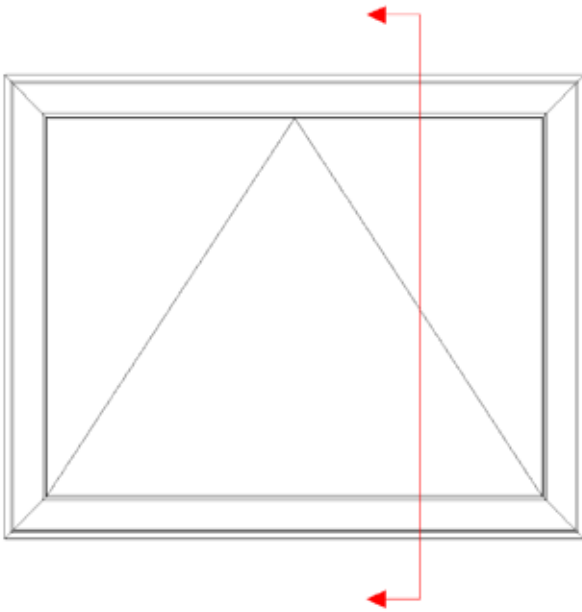
Performance

Design Pressure..... +/- 60 psf	Water Test Pressure 12 psf
Air Infiltration..... <0.01 cfm/ft2	Uniform Load Structural +/-90 psf



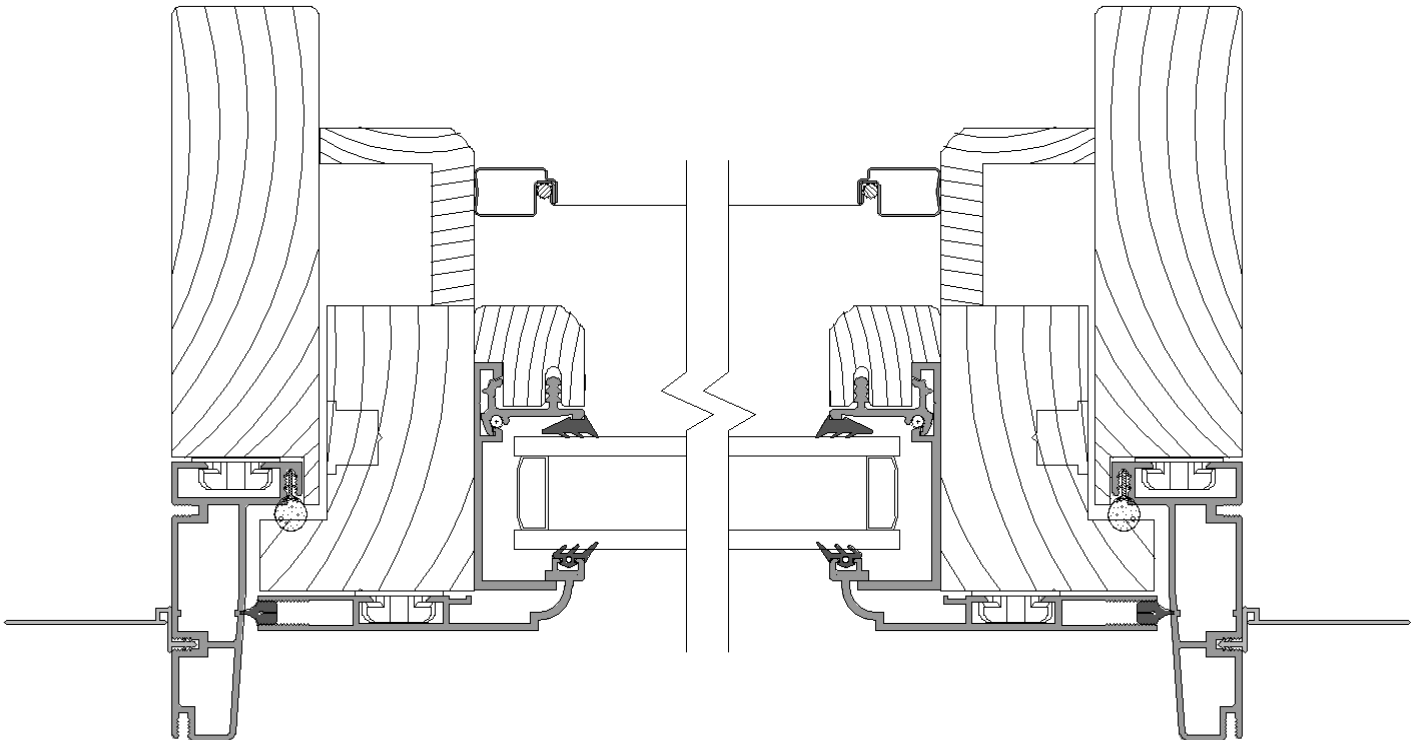
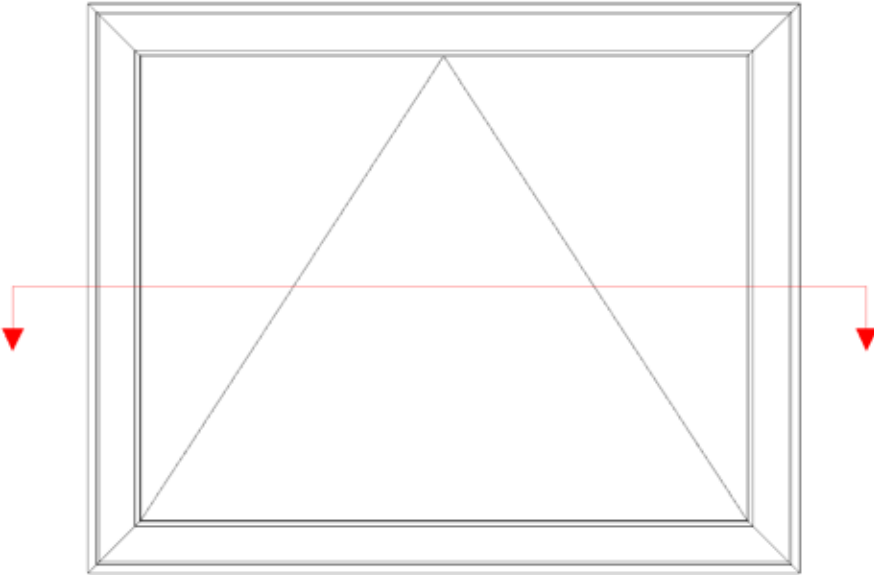


Vertical Cross Section View



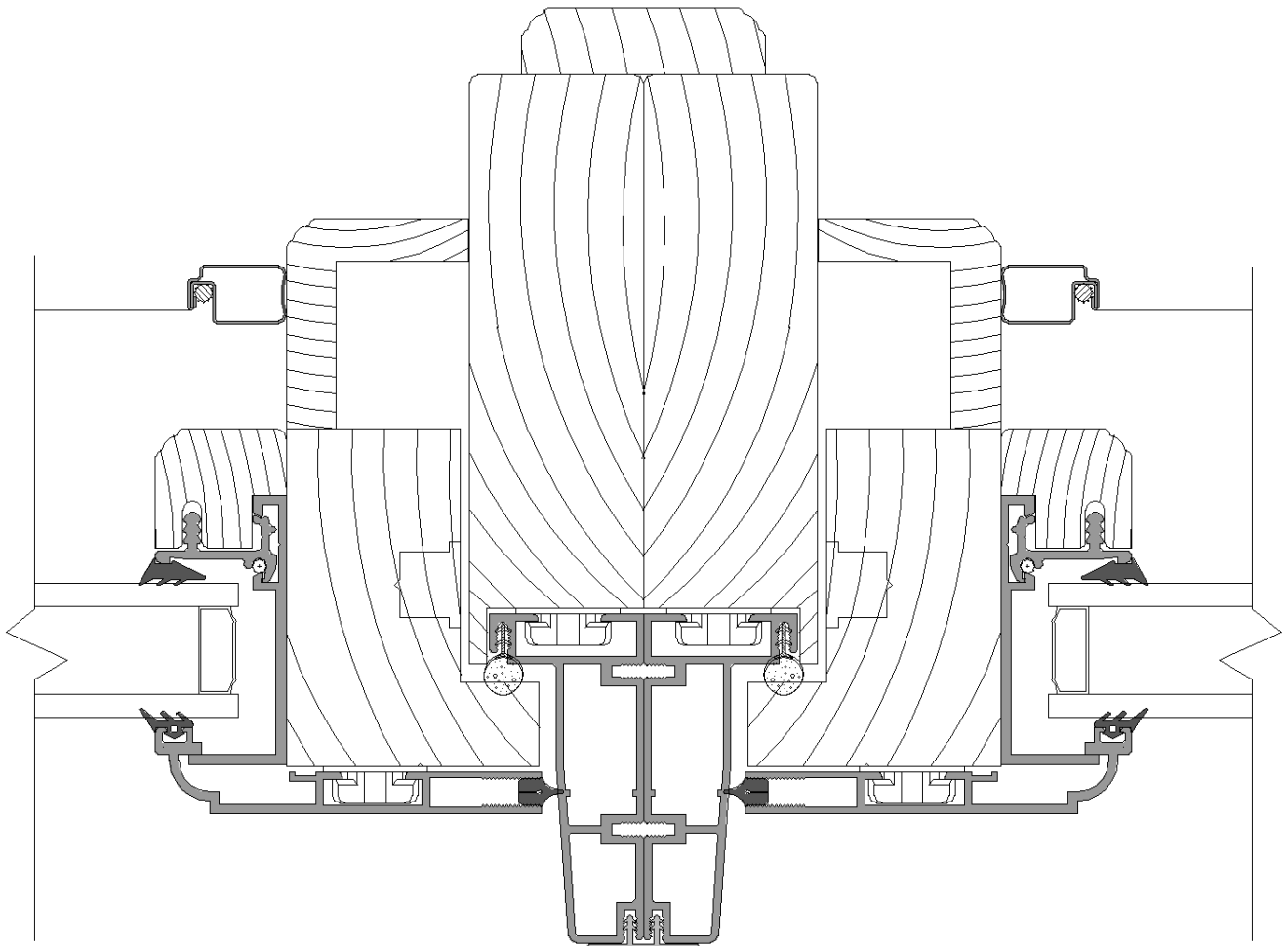
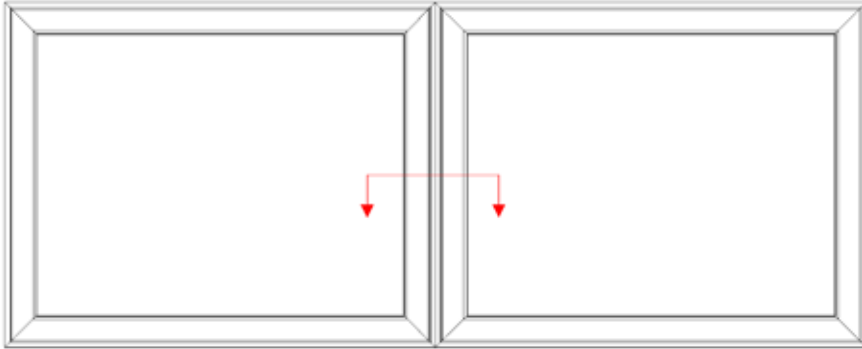


Horizontal Cross Section View





Horizontal Cross Section View





Vertical Cross Section View

