



Standard Options

- Overlap vent design
- Hidden sash gives fixed and operable windows the same exterior site lines
- Polyamide strip thermal break
- Euro-groove locking hardware system
- Frame center extruded EPDM gasket with weather gasket
- Thermal break includes aluminum bars that increase the isolation
- 1/4" to 1-1/2" Glazing
- Concealed drainage
- No visible glazing stops

Optional Features

- Structural mullion for joining several windows together
- Receptor systems
- Standard and custom panning systems
- Interior trim systems
- Sub-sills
- May select different color combinations for interior and exterior finish
- 220 different color options
- Insect screens
- 5/8" and 1" deep internal blinds
- Extruded to fit curtain wall
- Corners reinforced with corner cleats and mechanically crimped
- Dual or triple glazed option
- Multi-lock hardware

Made in the USA

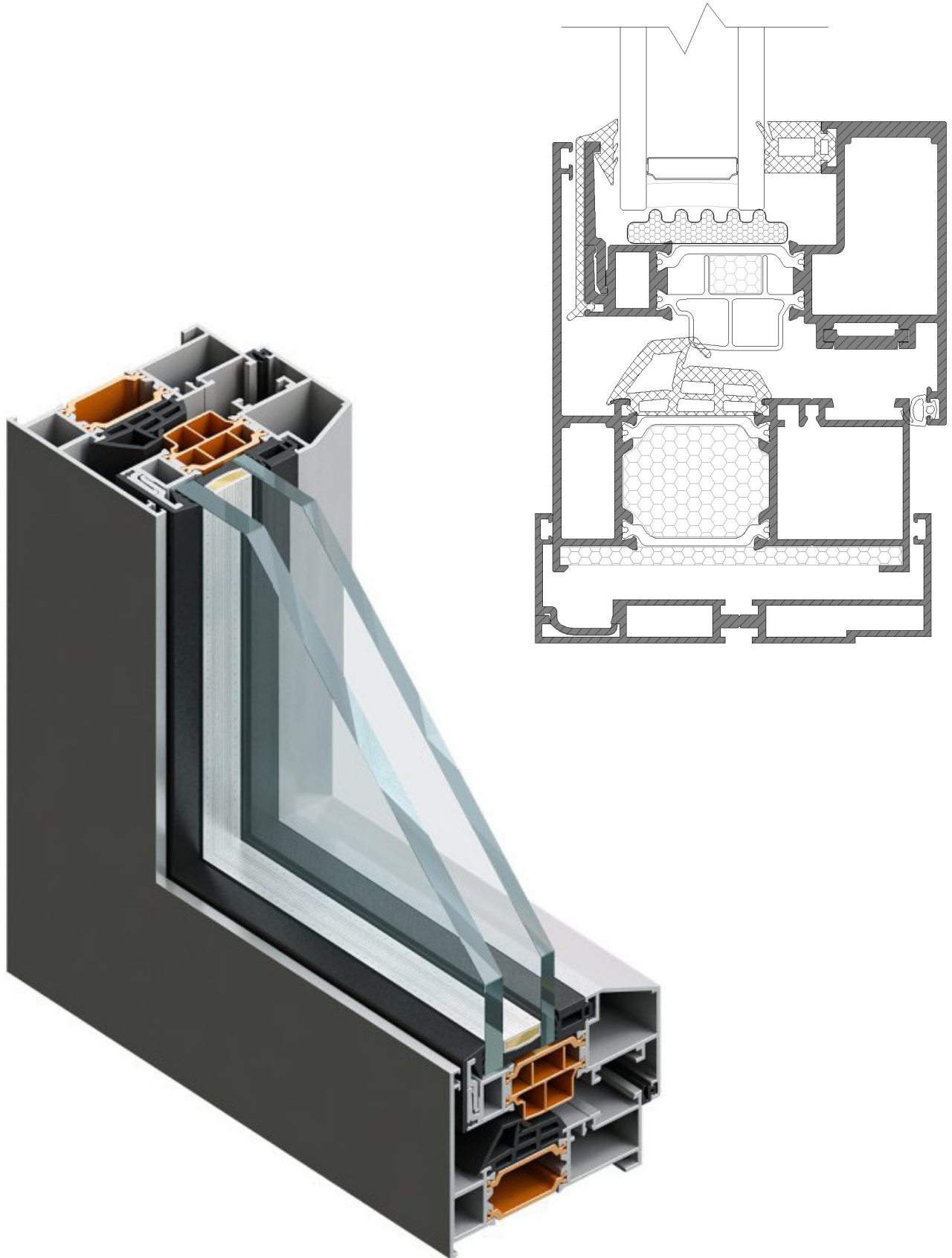


Performance

Design Pressure +/- 60 psf
 Air Infiltration..... <0.01cfm/ft²

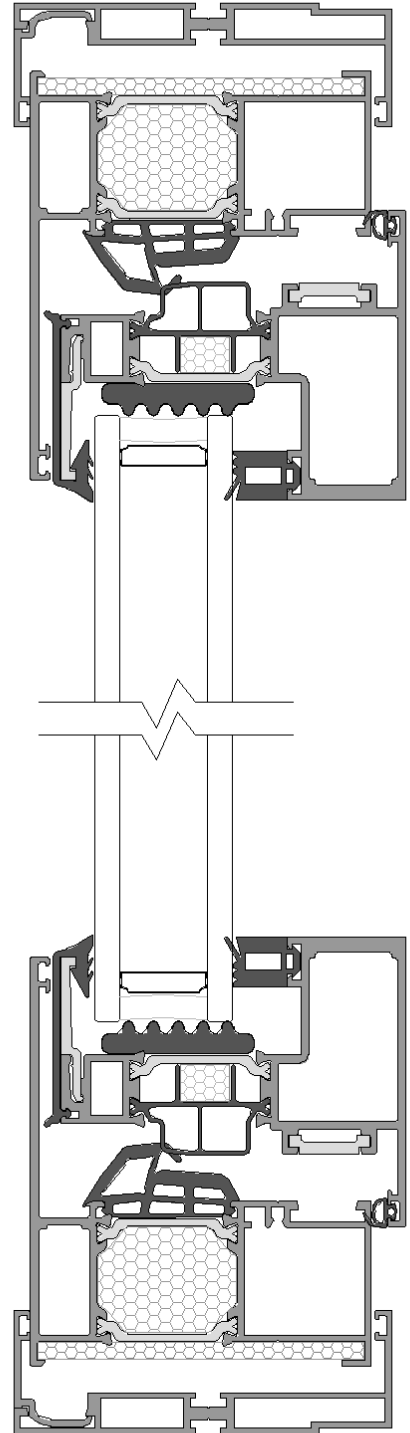
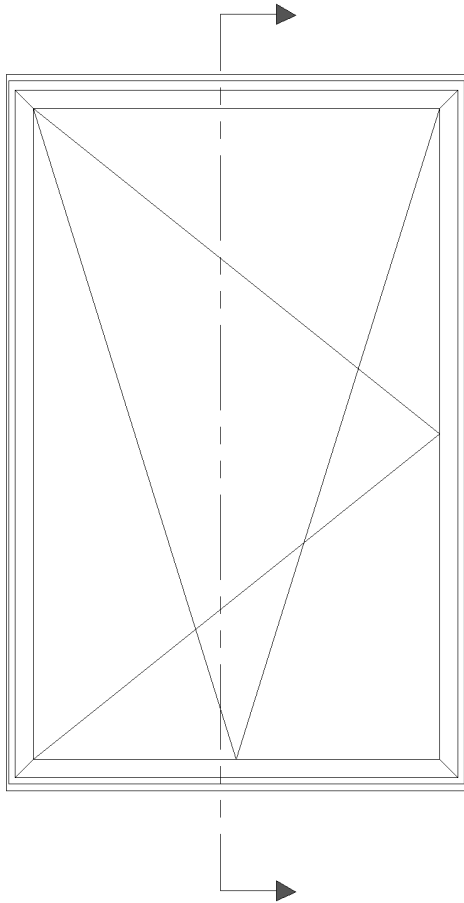
Water Test Pressure 12 psf
 Uniform Load Structural -/+90 psf

ATW91 – INSWING CASEMENT WINDOW



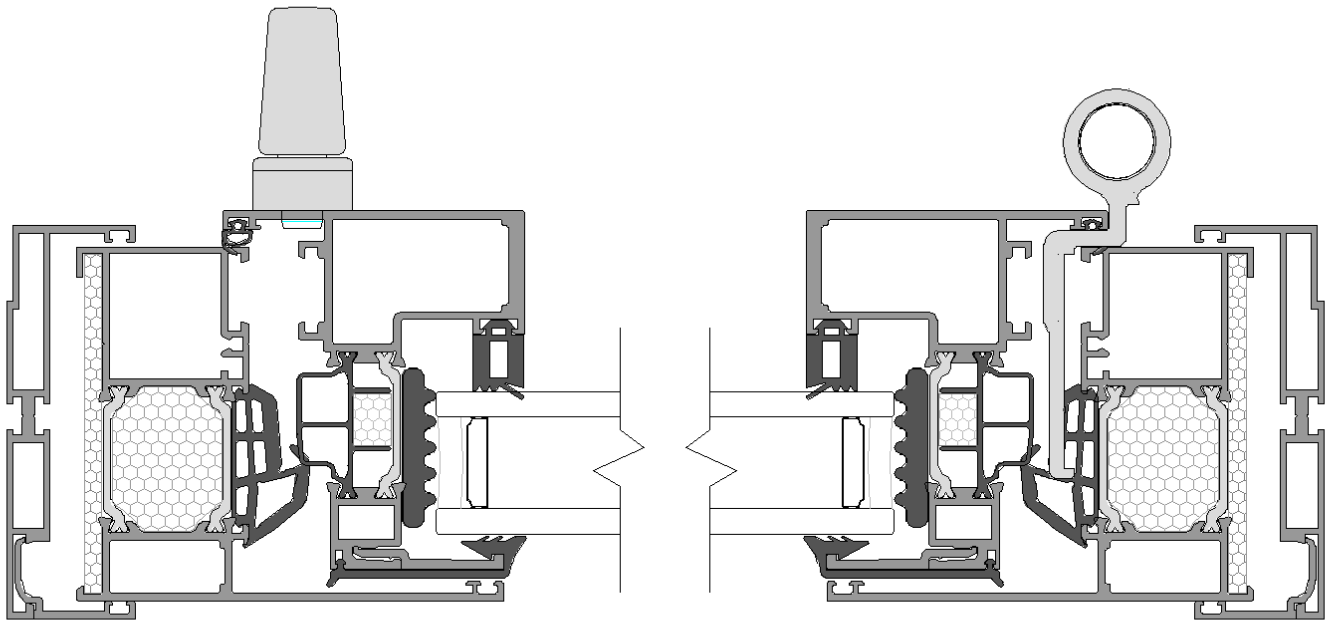
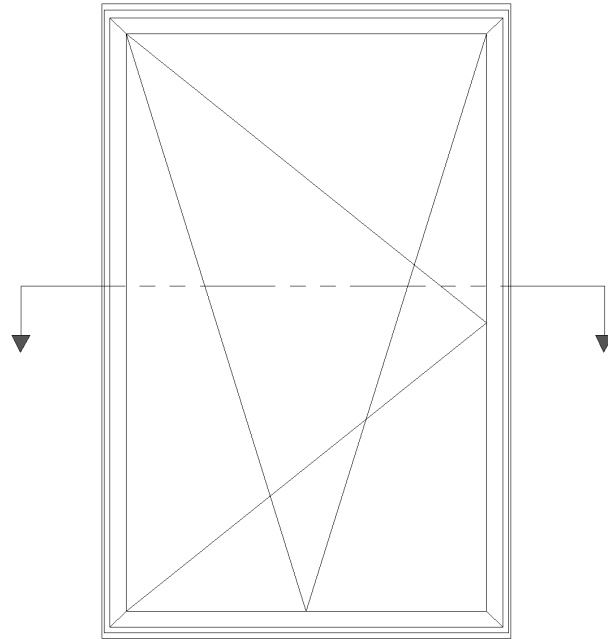


Vertical Cross Section View Operable Window



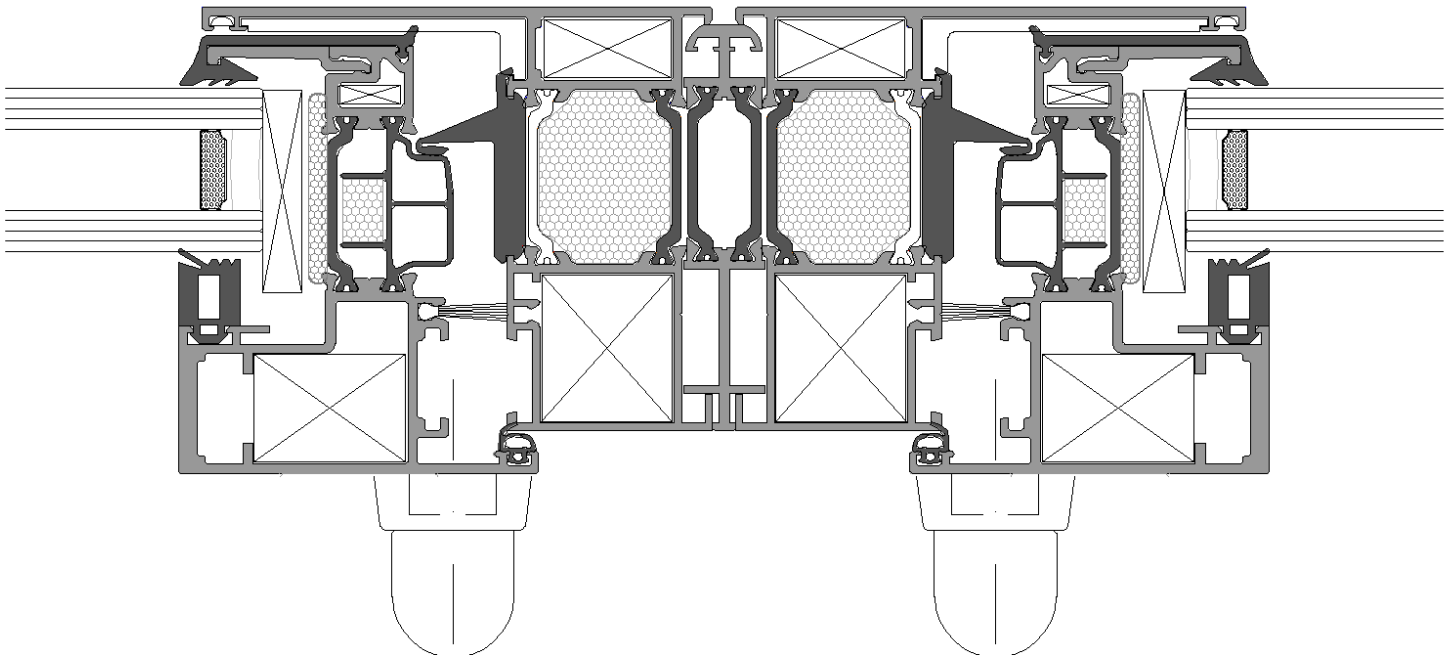
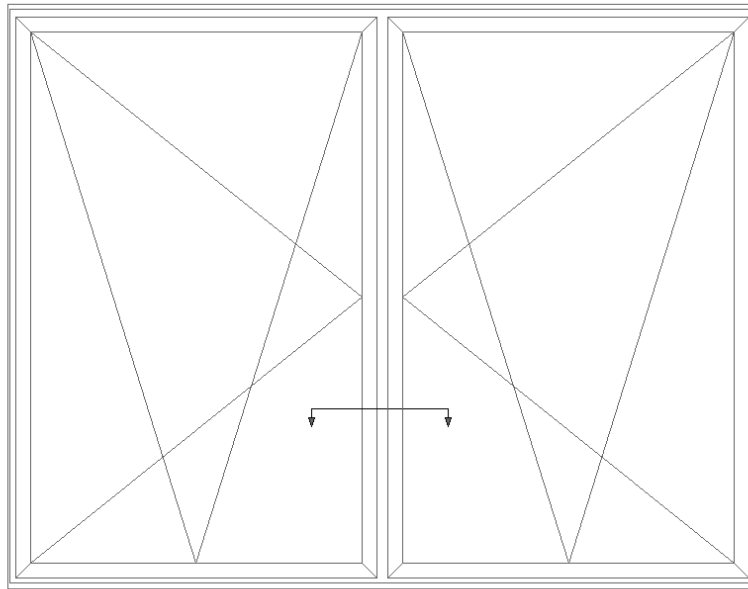


Horizontal Cross Section View Operable Window





Horizontal Cross Section View Operable Window





**Vertical Cross Section View
Fixed Window**

