



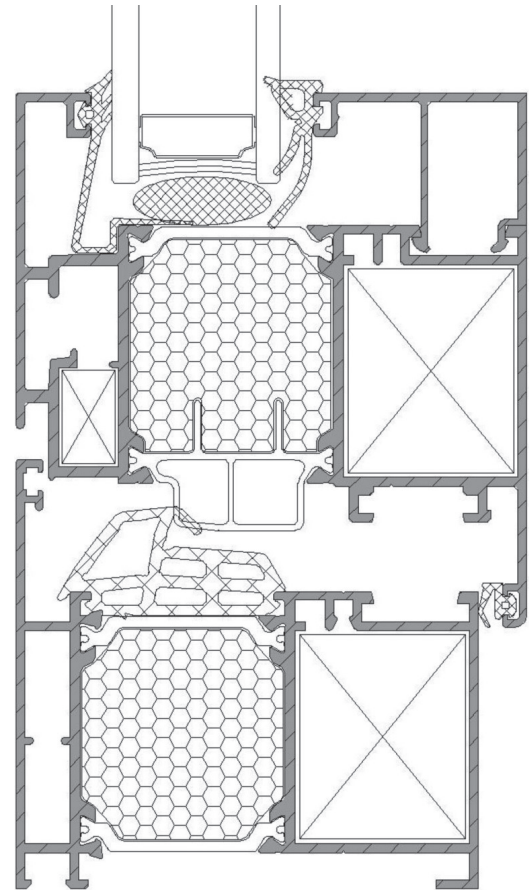
Standard Options

- Overlap vent design
- 45° mitered vent and frame corners
- Polyamide strip thermal break
- Adjustable Euro-groove locking hardware system
- Frame center extruded EPDM gasket with weather gasket
- Thermal break includes aluminum bars that increase the isolation
- 1/4" to 1-1/2" Glazing
- Concealed drainage
- No visible glazing stops



Optional Features

- Structural mullion for joining several windows together
- Receptor systems
- Standard and custom panning systems
- Interior trim systems
- Sub-sills
- May select different color combinations for interior and exterior finish
- 220 different color options
- Insect screens
- 5/8" and 1" deep internal blinds
- Extruded to fit curtain wall
- Corners reinforced with corner cleats and mechanically crimped
- Dual or triple glazed option
- Interior applied glazing bead
- Single handle multi-lock point locking

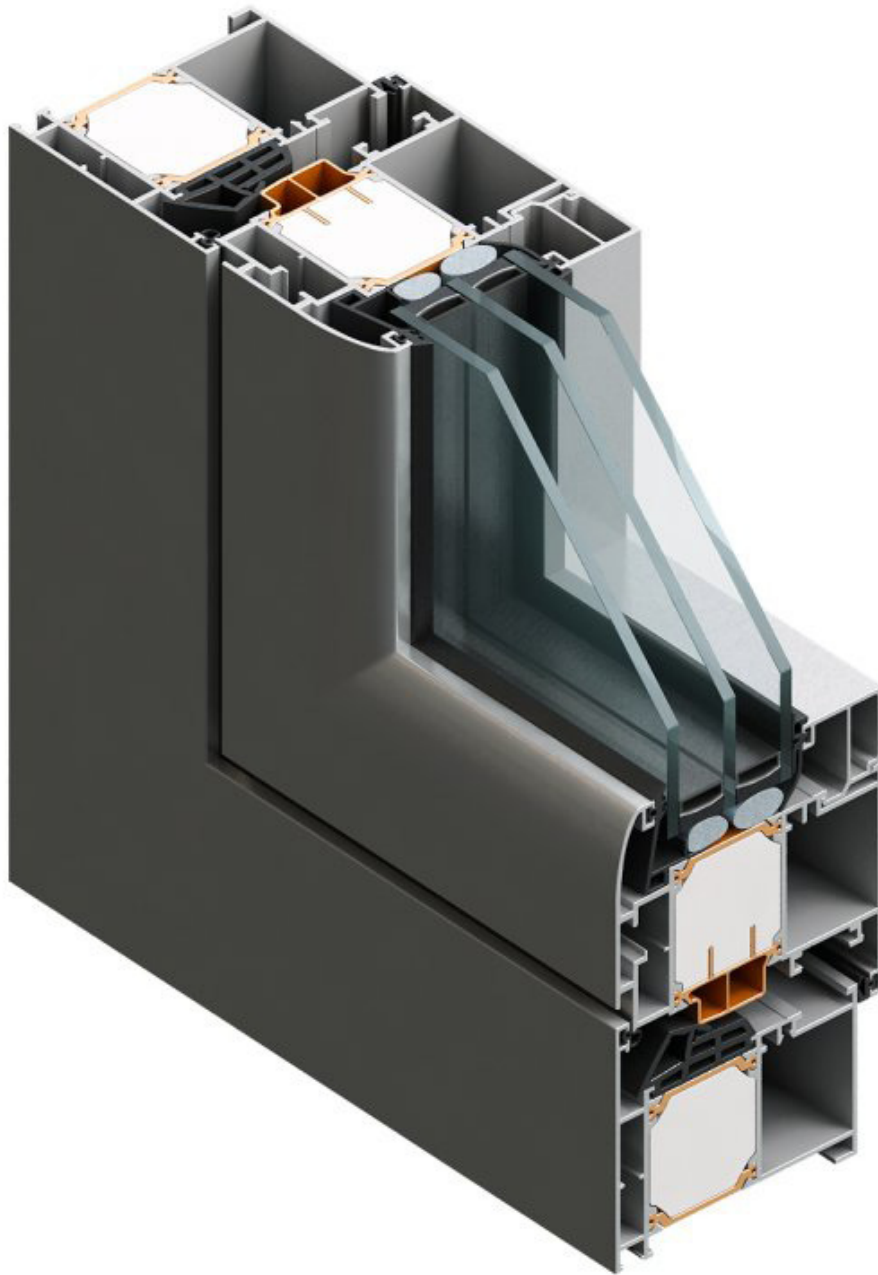


Made in the USA

Performance

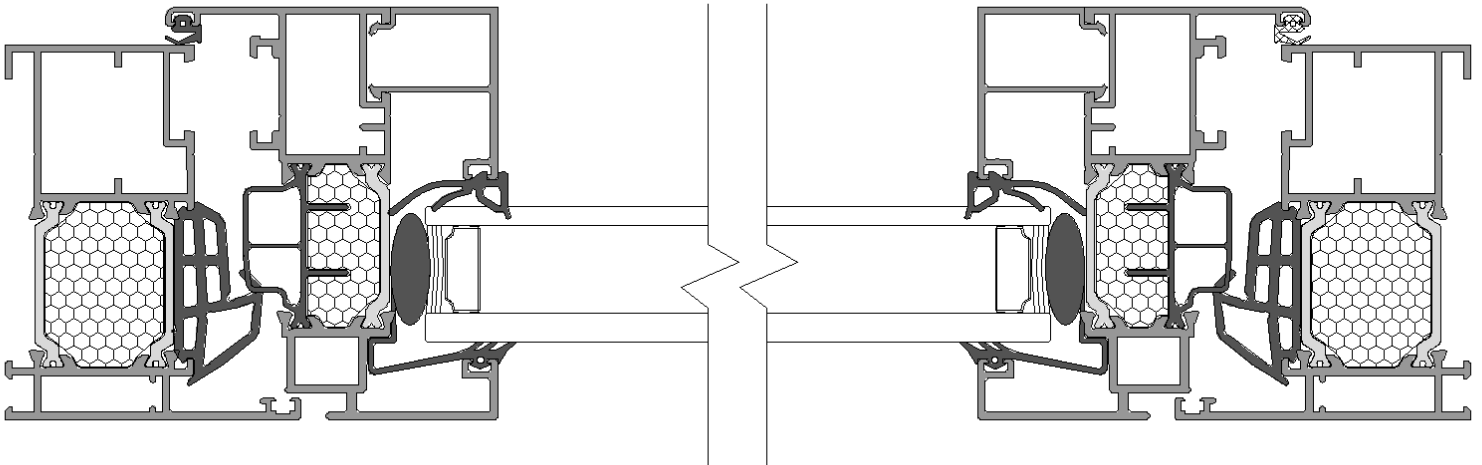
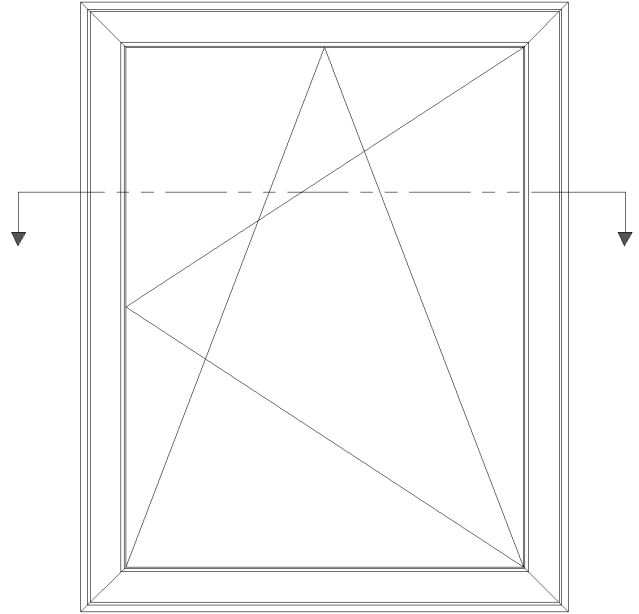
Design Pressure +/- 60 psf
 Air Infiltration..... <0.01cfm/ft²

Water Test Pressure 12 psf
 Uniform Load Structural -/+90 psf



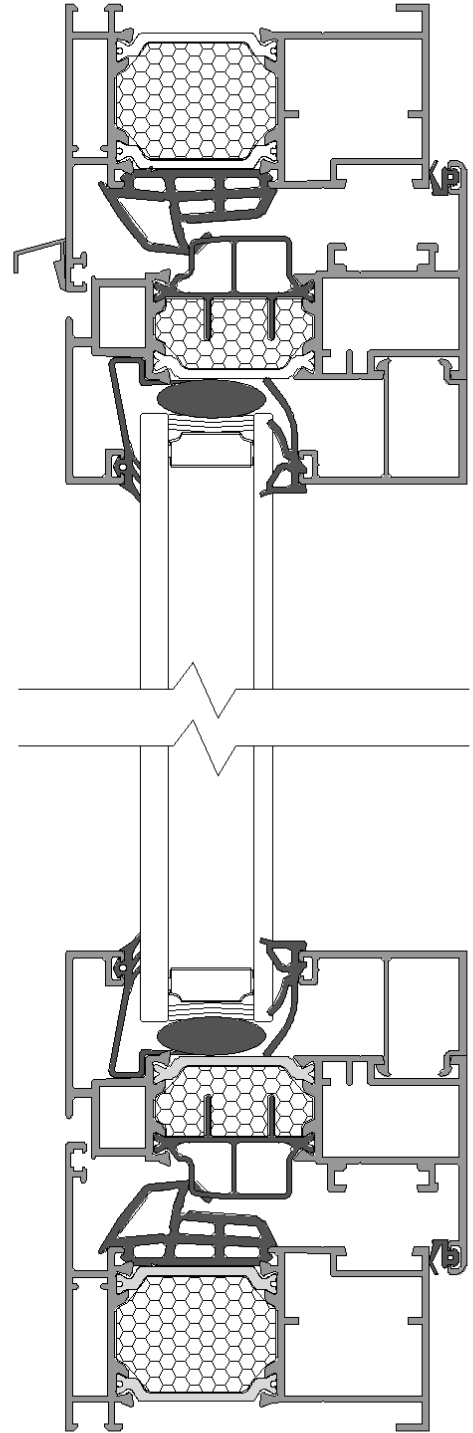
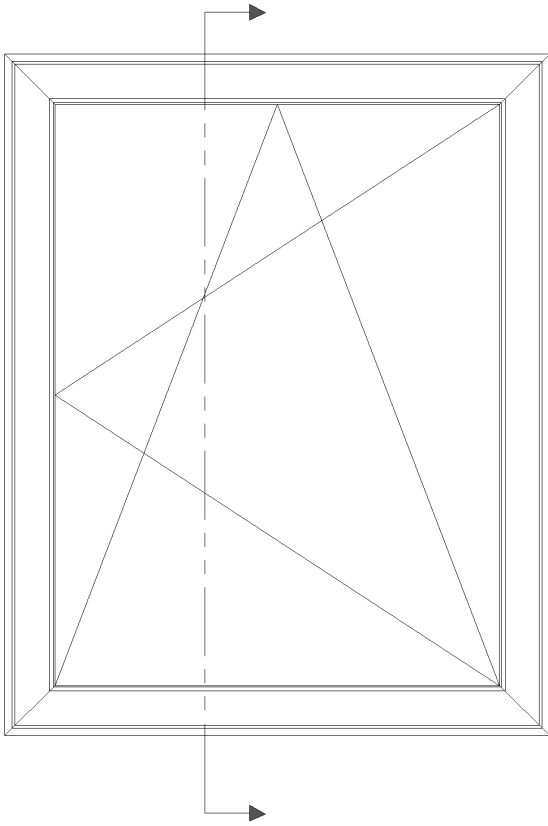


Horizontal Cross-Section View



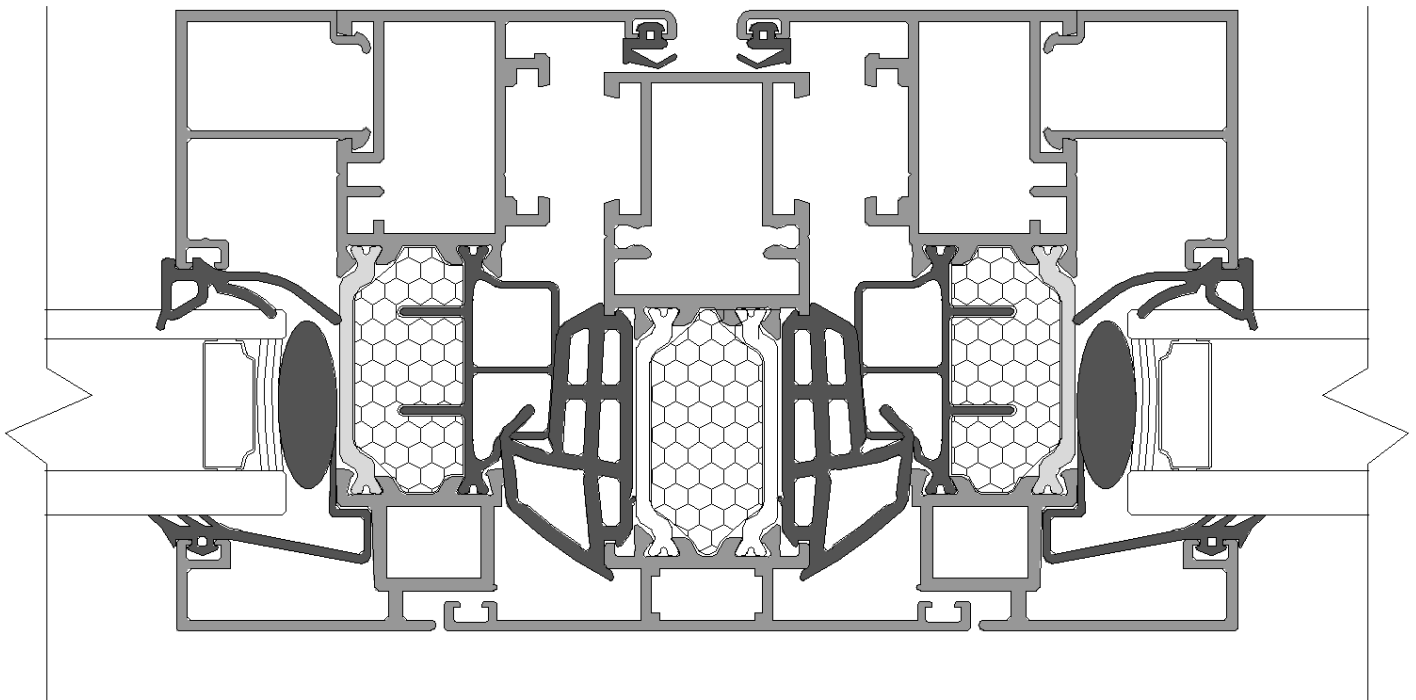
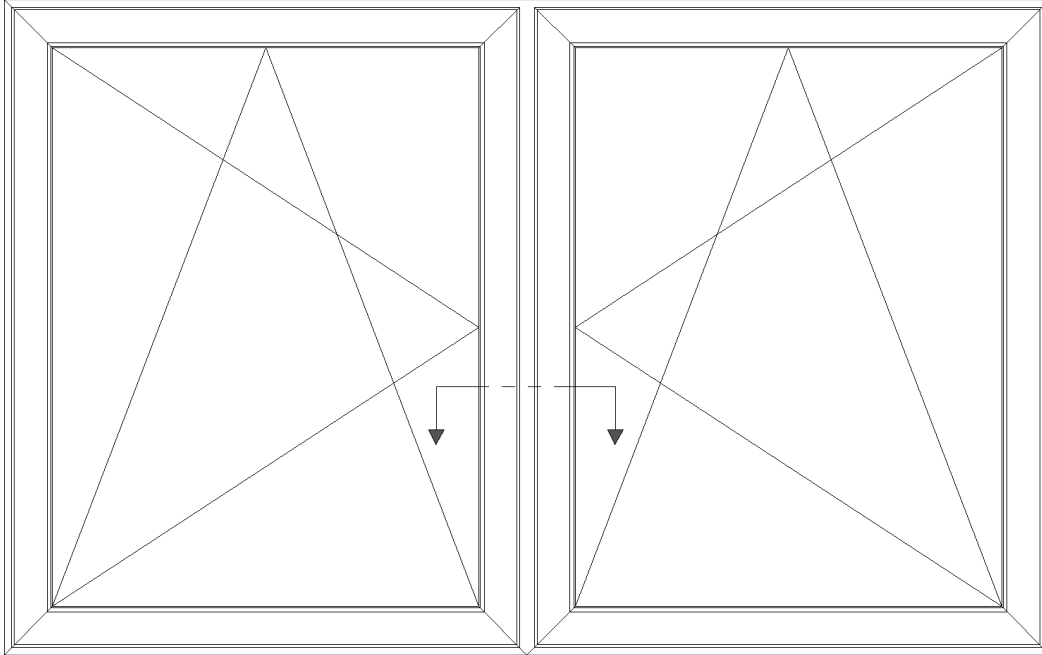


Vertical Cross Section View



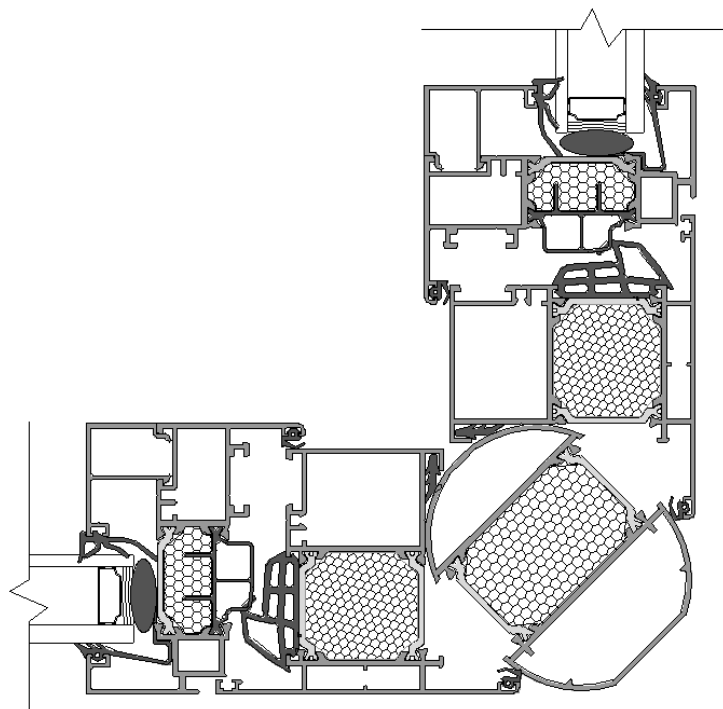
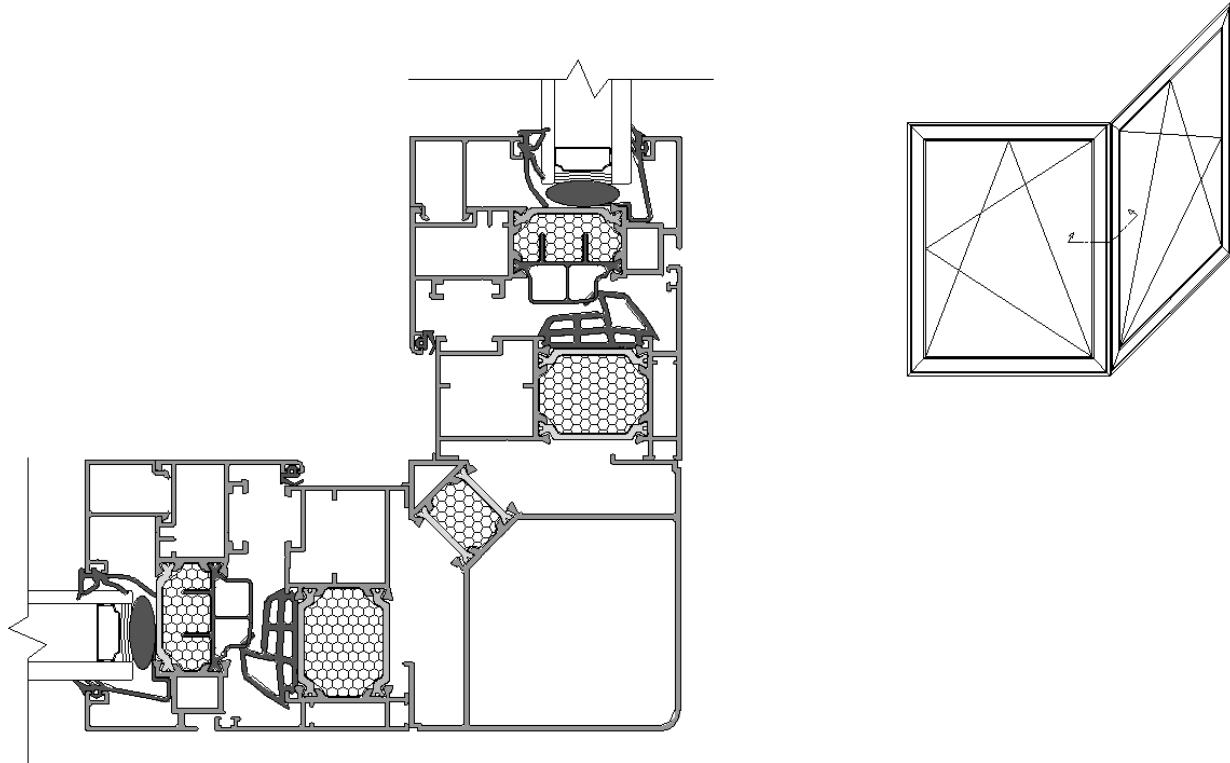


Horizontal Cross Section View

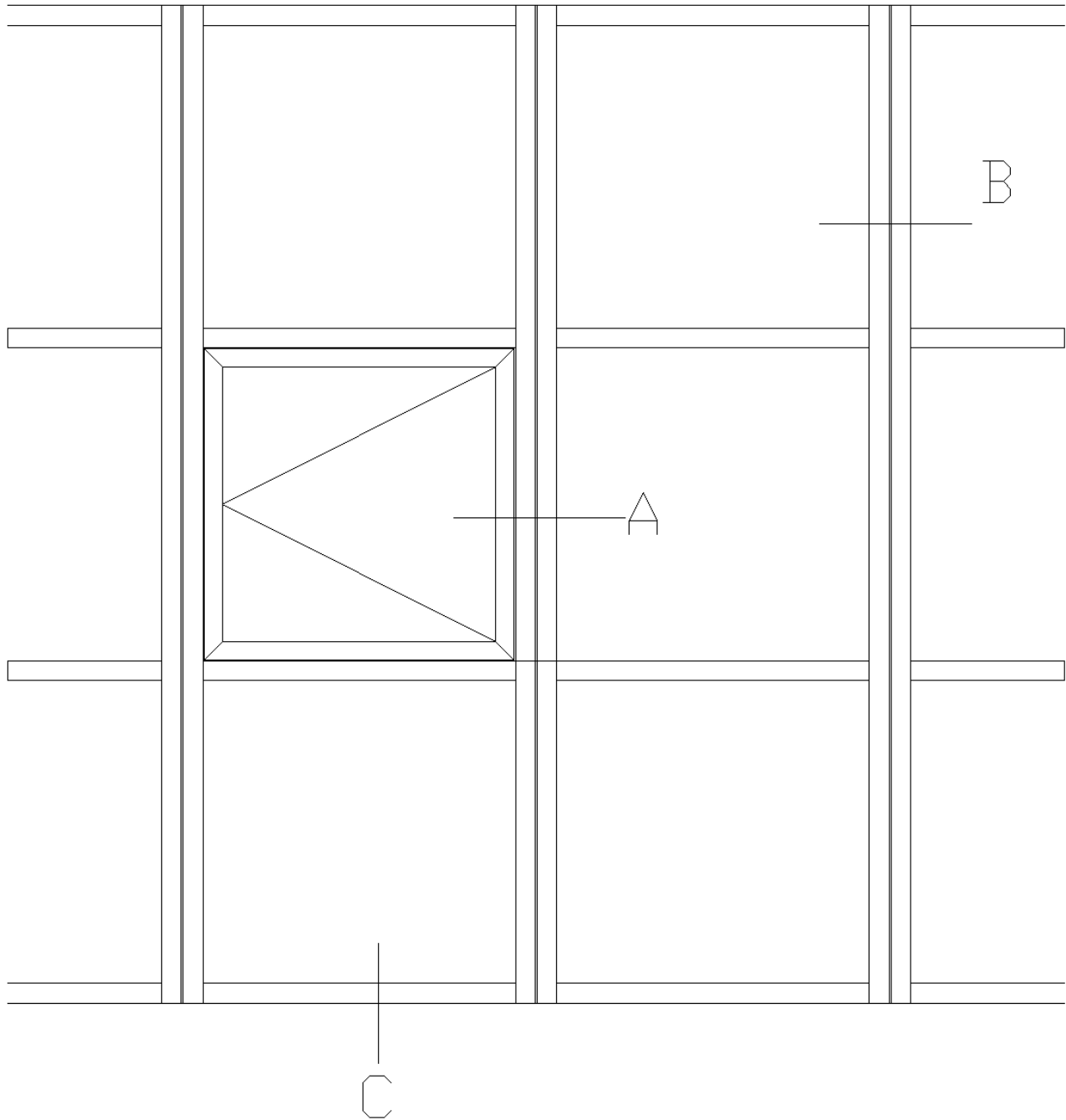




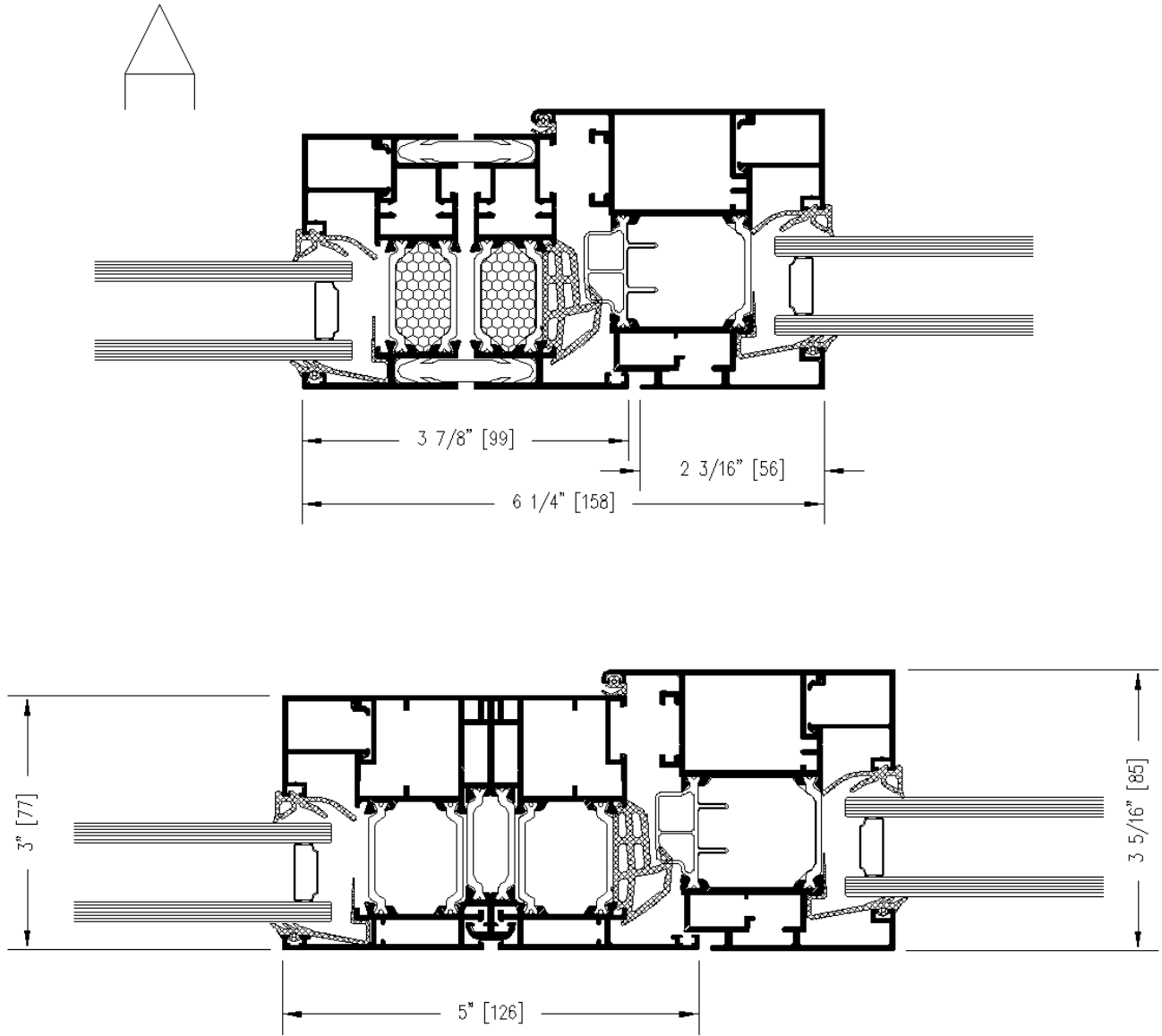
Horizontal Cross Section View

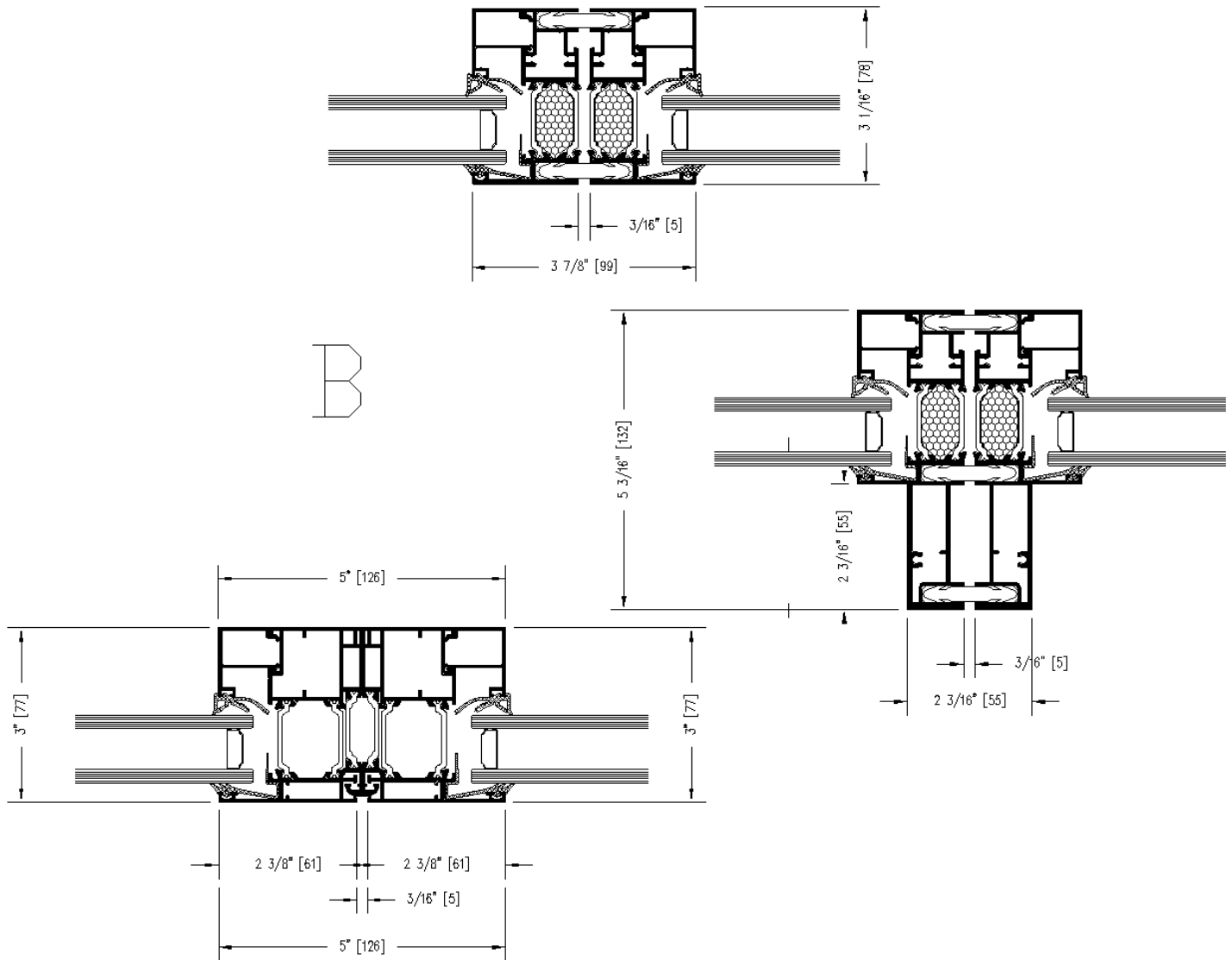


ATW85- TILT & TURN WINDOW



ATW85- TILT & TURN WINDOW





ATW85- TILT & TURN WINDOW

