

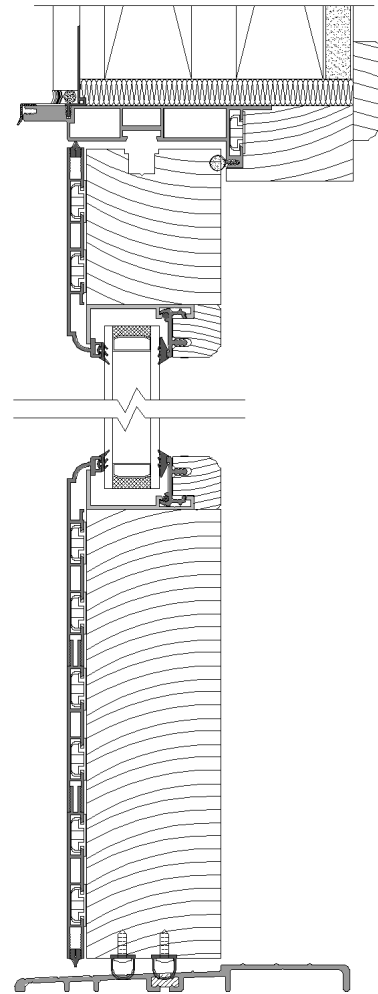


Standard Options

- Outswing operation
- Poplar wood interior, other wood species are available
- Interior finish options:
 1. Stained and clear coated
 2. Primed and painted
- Extruded aluminum clad exterior; wood exterior frame optional
- Exterior aluminum with powder coated finish
- 2-1/2" thick by 3" wide door sash for top and side rails
- 2-1/2" thick by 8-1/2" wide bottom rail
- Pre-hung in frame
- Dry glazing
- 1/4" to 1" thick glass
- 30-year limited exterior finish warranty
- Maximum size 8' x 4'



Custom styles available.



Optional Features

- Aluminum alloys: 6005, 6060, 6463, 6063
- Exterior finish options:
 1. Anodized
 2. Kynar 500
 3. Painted
- 220 color options available
- Single, double, and triple glazing options
- Wide range of glass options
- 1/4" - 1" thick glass
- Designer hardware options
- Concealed hinge

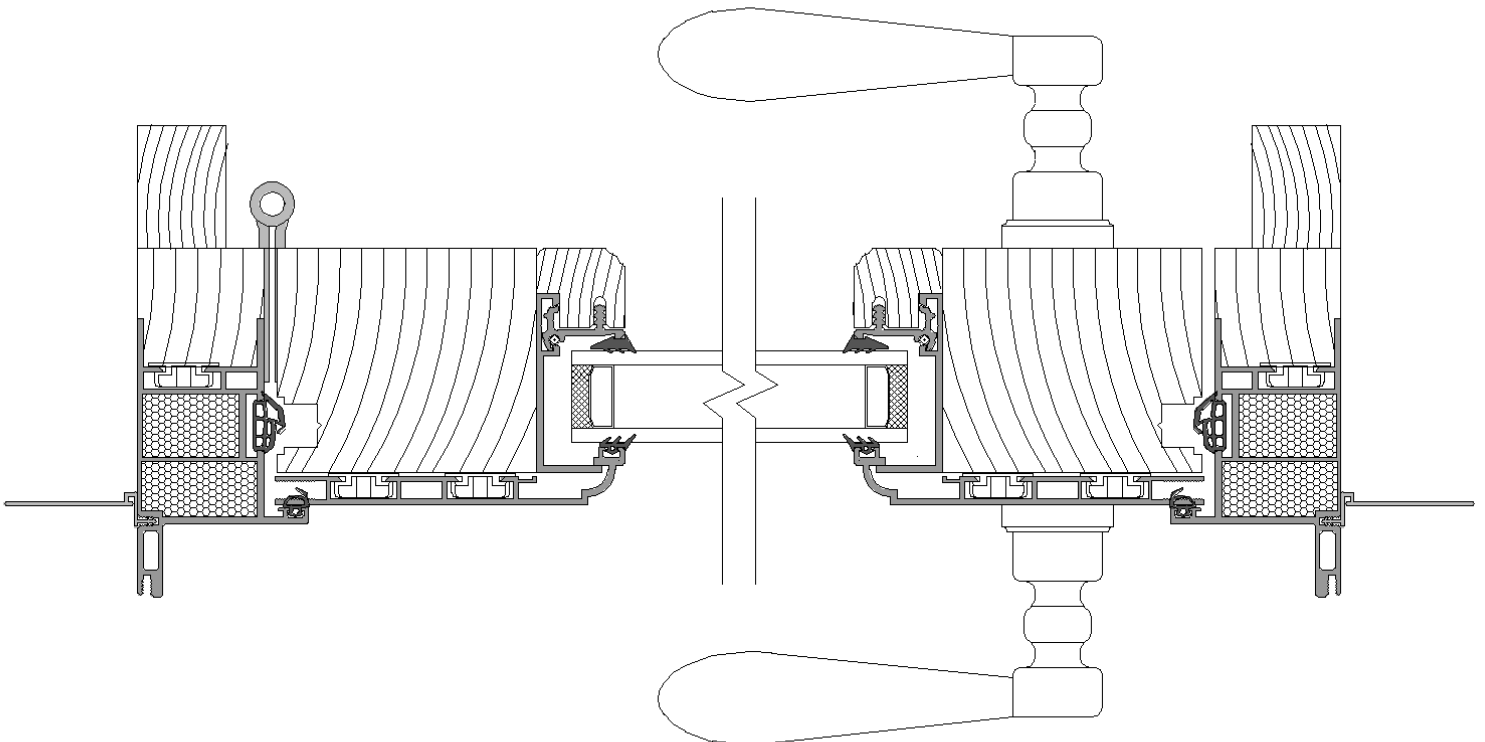
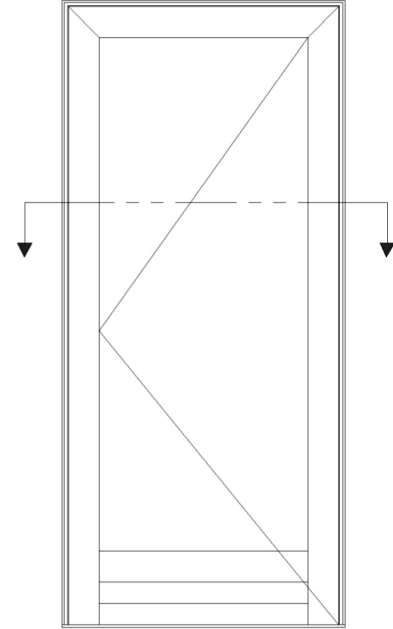
Performance

Design Pressure +/- 60 psf
 Air Infiltration..... <0.01cfm/ft²

Water Test Pressure 12 psf
 Uniform Load Structural -/+90 psf



Horizontal Cross-Section View





**Vertical
Cross-Section View**

