



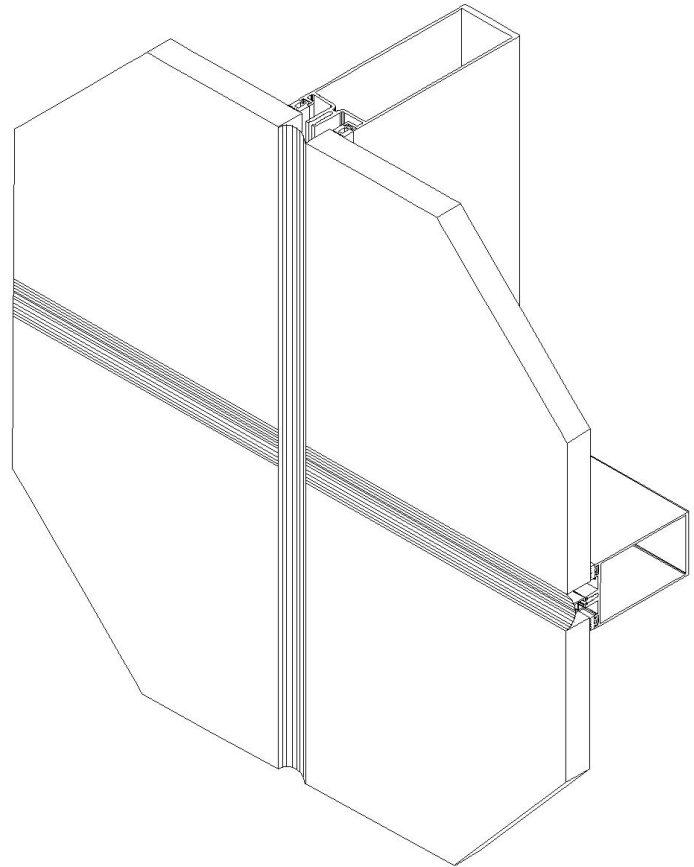
Standard Options for ACW 60CC

- Screw and shear block assembly
- EPDM gasket
- Glazing 1/4" to 1-1/2"
- Three drainage levels
- Polythermid thermal isolator between exterior and interior aluminum



Optional Features

- Aluminum alloys: 6005, 6060, 6463, 6063
- Various mullion depths available
- Wide variety of cover profiles
- Custom corner mullions available for segmented radiuses of 25-90°
- "F" and "T" perimeter anchors
- Available as unitized curtain wall
- Custom thermal isolator with gasket lips
- Individual gasket with butyl tape
- Glass clips for reinforcement for larger units
- Base ventilation and pressure equalization on four corners of each field
- Special profile for vapor barrier and sill flashing (not penetrated)
- Accepts all SA-FE windows, doors and sunshades
- Blinds between glass
- 220 colors options
- Zero sight line vents available
- Custom tape that improves performance and water protection



Made in the USA



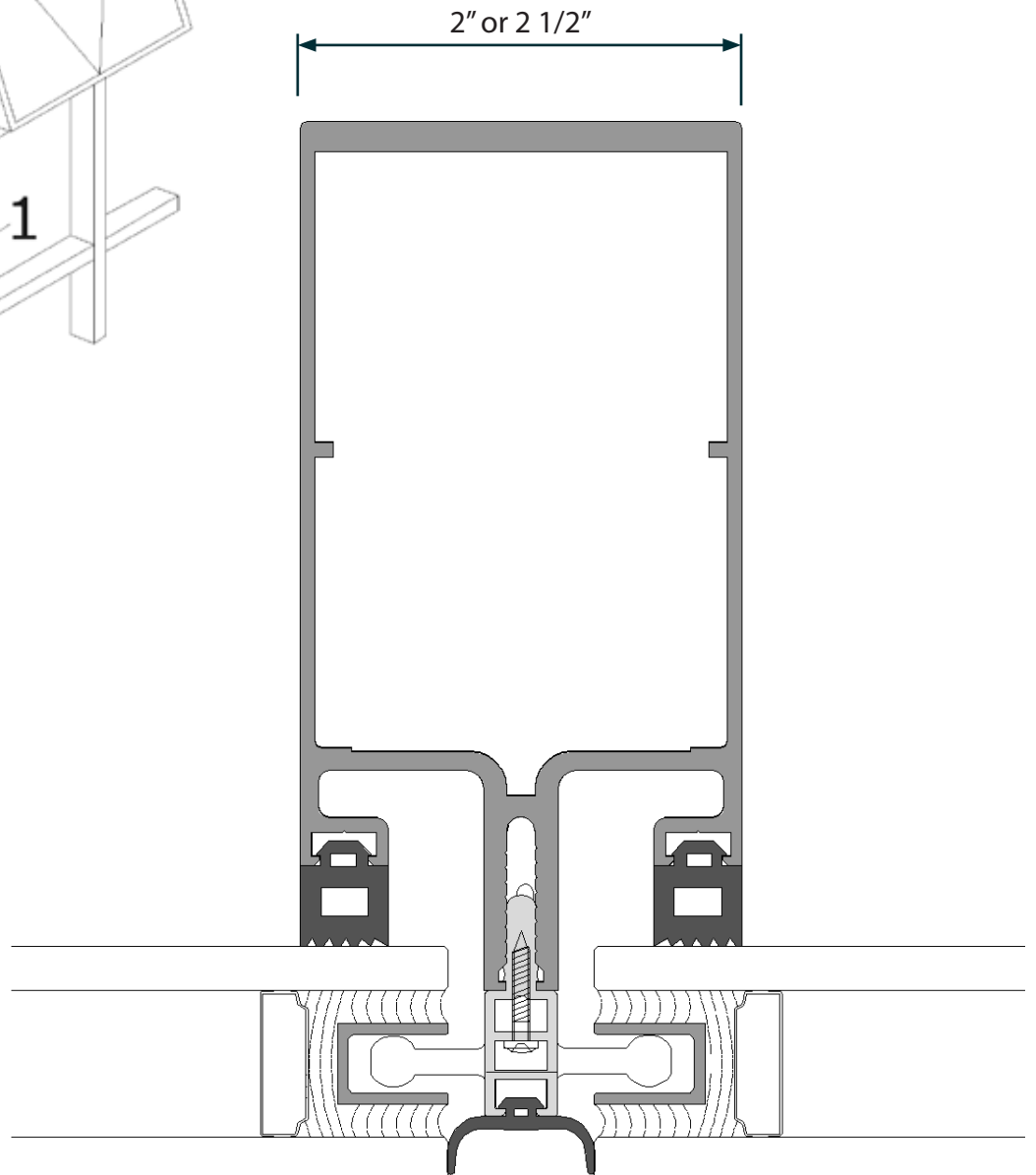
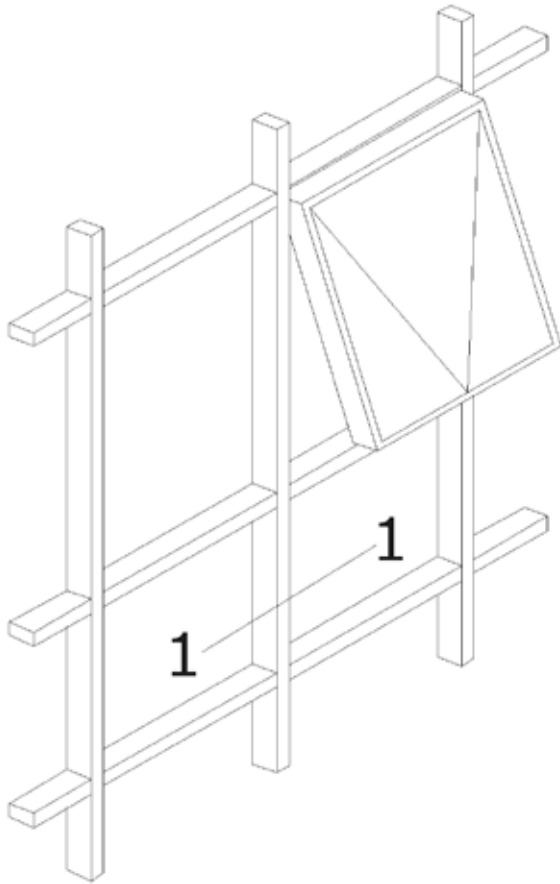
Performance

Design Pressure +/- 60 psf
Air Infiltration..... <0.01cfm/ft2

Water Test Pressure 15 psf
Uniform Load Structural -/+90 psf

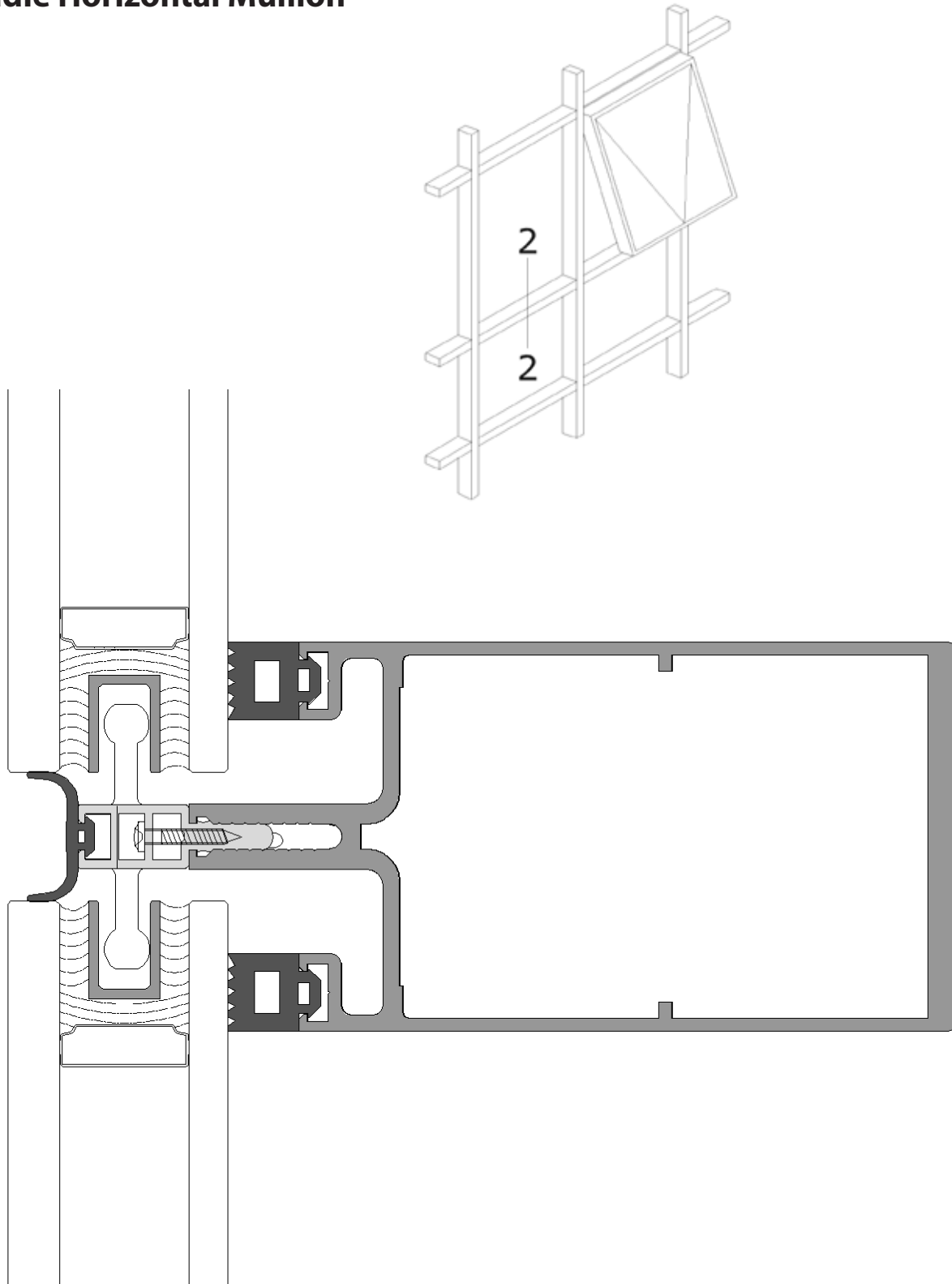


Cross Section View at Middle Vertical Mullion



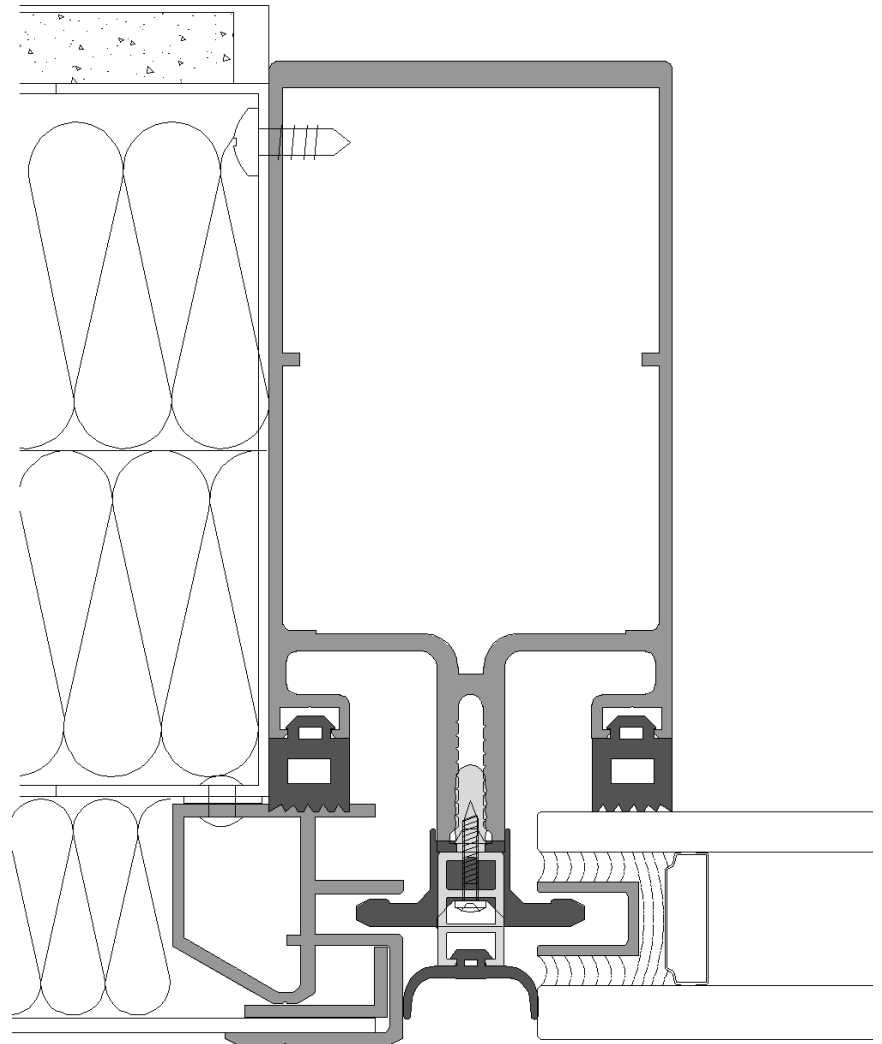
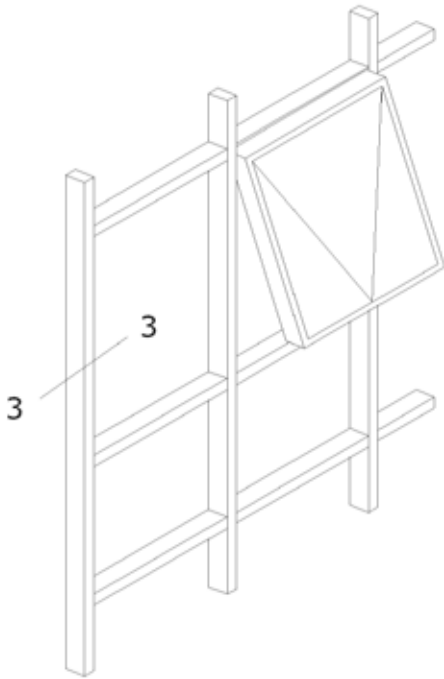


**Cross Section View
at Middle Horizontal Mullion**





Cross Section View Left Vertical Mullion at Wall





**Cross Section View
Horizontal Mullion at Bottom**

